

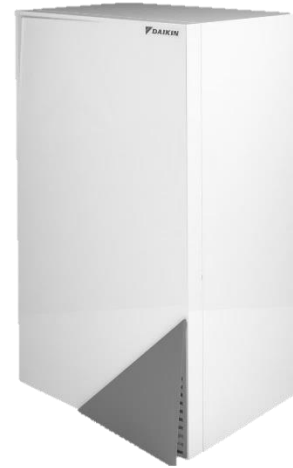


Submittal Data Sheet

4.0-Ton LT Hydrobox for VRV
HXY48TAVJU

FEATURES & BENEFITS

- Air to water connection to VRV for applications such as underfloor, air handling units, low temperature radiators, etc.
- Leaving water temperature range down to 50°F in cooling and up to 113°F in heating without an electric heater
- No gas connection or oil tank needed to generate hot or cold water
- Stylish and compact wall hung design
- Connectable to single module VRV IV X Heat Pump ODU
- Save time on system design as all water-side components are fully integrated with direct control over leaving water temperature. Factory installed hydronic accessories include:
 - Flow switch
 - Safety relief valve
 - Expansion tank
 - Pump
 - Strainer
 - Auto air vent valve
 - Inlet/outlet temp sensors



Daikin North America LLC, 19001 Kermier Rd, Waller, TX 77484
www.daikinac.com www.daikincomfort.com

(Daikin's products are subject to continuous improvements. Daikin reserves the right to modify product design, specifications and information in this data sheet without notice and without incurring any obligations).



Submittal Data Sheet

4.0-Ton LT Hydrobox for VRV
HXY48TAVJU

PERFORMANCE

Indoor Unit Model No.	HXY48TAVJU	Indoor Unit Name	4-Ton LT Hydrobox for VRV
Type:	Low Temperature Hydrobox for VRV	Nominal Cooling Conditions:	Ambient: 95 FDB Leaving Water Temp: 64.4 F Flow Rate: 9.5 gpm Delta T: 9 °F
Nominal Cooling Capacity (Btu/hr):	42,650		
Nominal Heating Capacity (Btu/hr):	48,000	Nominal Heating Conditions:	Ambient: 44.6 FDB / 42.8 FWB Leaving Water Temp: 95 F Flow Rate: 10.6 gpm Delta T: 9 °F
Nominal ESP (Cool/Heat) (ft hd):	21.8 / 24.4		

INDOOR UNIT DETAILS

Power Supply (V/Hz/Ph):	208-230/60/1	Water Flow Rate Range (gpm):	3.4 – 11.9
Power Supply Connections:	L1, L2, Ground	Water Delta T Range (°F):	5.4 – 14.4
Min Circuit Amps MCA (A):	2.5	Water Inlet & Outlet Connection with pipe adaptor (in):	1 ¼ Female
Max Overcurrent Protection MOP (A):	15	Gas Pipe Connection (in):	5/8 (flare)
Dimensions (HxWxD) (in):	35-1/16 x 18-7/8 x 13-1/2	Liquid Pipe Connection (in):	3/8 (flare)
Net Weight (lb):	97	Sound Pressure (dBA):	31
Cooling Leaving Water Temperature Range (°F):	50 - 68	Sound Power Level (dB):	60
Heating Leaving Water Temperature Range (°F):	77 - 113		

Daikin North America LLC, 19001 Kermier Rd, Waller, TX 77484
www.daikinac.com www.daikincomfort.com

(Daikin's products are subject to continuous improvements. Daikin reserves the right to modify product design, specifications and information in this data sheet without notice and without incurring any obligations).



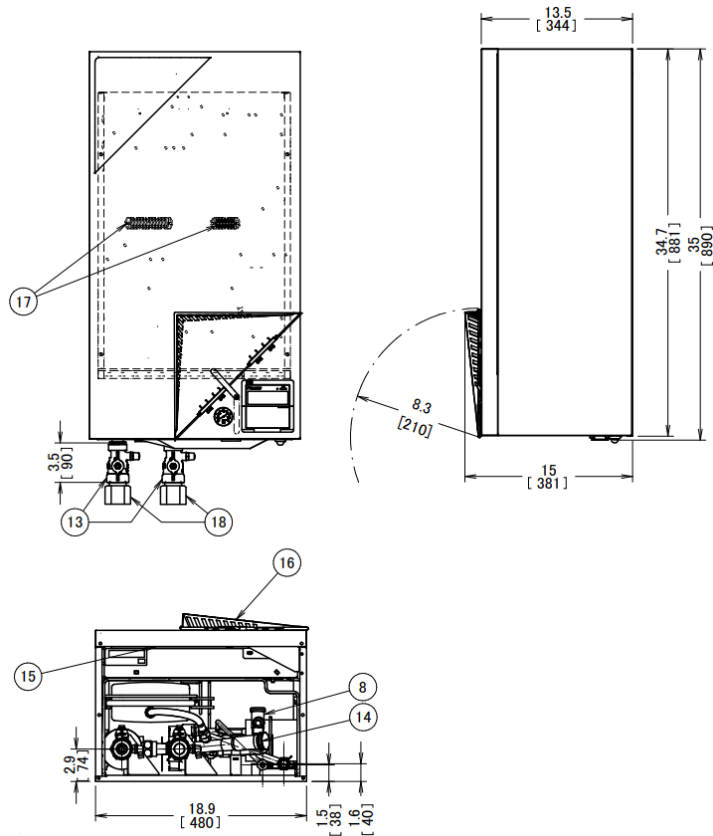
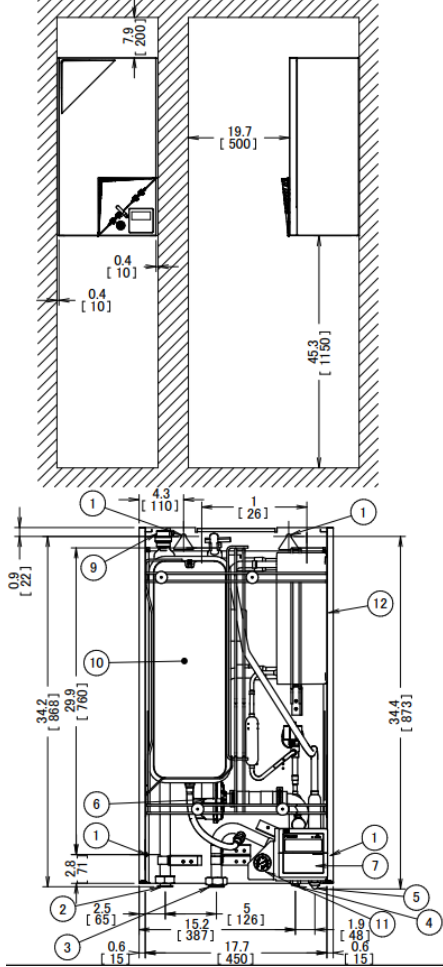
Submittal Data Sheet

4.0-Ton LT Hydrobox for VRV

HXY48TAVJU

DIMENSIONAL DRAWING

REQUIRED SPACE FOR SERVICE AND VENTILATION



- ① HOLES (Ø12) FOR FIXATION TO THE WALL
- ② WATER OUT CONNECTION (1-1/4" [31.75mm] F BSP)
- ③ WATER IN CONNECTION (1-1/4" [31.75mm] F BSP)
- ④ REFRIGERANT LIQUID CONNECTION 3/8" [Ø9.52mm] (FLARE)
- ⑤ REFRIGERANT SUCTION CONNECTION 5/8" [Ø15.9mm] (FLARE)
- ⑥ PUMP
- ⑦ USER INTERFACE
- ⑧ SAFETY VALVE (PRESSURE)
- ⑨ AIR PURGE
- ⑩ EXPANSION VESSEL
- ⑪ PRESSURE GAUGE
- ⑫ HEAT EXCHANGER (REFRIGERANT / WATER)
- ⑬ SHUT OFF VALVE WITH DRAIN / FILL VALVE (1-1/4" [31.75mm] F BSP) (INCLUDED ACCESSORY)
- ⑭ WATER FILTER
- ⑮ POWER SUPPLY / COMMUNICATION WIRE ENTRANCE
- ⑯ SERVICE DOOR
- ⑰ SWITCHBOX TERMINALS
- ⑱ PIPING ADAPTER 1-1/4" [31.75mm] NPT F

Daikin North America LLC, 19001 Kermier Rd, Waller, TX 77484

www.daikinac.com www.daikincomfort.com

(Daikin's products are subject to continuous improvements. Daikin reserves the right to modify product design, specifications and information in this data sheet without notice and without incurring any obligations).