
DBC 6 Ton Belt Drive Commercial Package Cooling Unit

DBC0723V000001SAA
DBC0724V000001SAA
DBC0727V000001SAA



This manual is to be used by qualified technicians only.

Important Information

Index

Functional Parts List	3
Illustration and Parts	4 - 15

Views shown are for parts illustrations only, not servicing procedures

Text Codes:

AR - As Required

NA - Not Available

NS - Not Shown

00000000 - See Note

QTY - Quantity Example (QTY 3) (If Quantity not shown, Quantity = 1)

M - Model Example (M1) (If M Code not shown, then part is used on all Models)

Expanded Model Nomenclature:

Example M1 - Model#1 M2 - Model#2 M3 - Model#3

Daikin Company, L.P. is not responsible for personal injury or property damage resulting from improper service. Review all service information before beginning repairs.

Warranty service must be performed by an authorized technician, using authorized factory parts. If service is required after the warranty expires, Daikin Company, L.P. also recommends contacting an authorized technician and using authorized factory parts.

Daikin Company, L.P. reserves the right to discontinue, or change at any time, specifications or designs without notice or without incurring obligations.

For assistance within the U.S.A. contact:

Equipment Support
Daikin North America, LLC
19001 Kermier Road
Waller, Texas 77484
855-770-5678-Telephone
713-863-2382-Facsimile

For assistance outside the U.S.A. contact:

International Division
Daikin North America, LLC
19001 Kermier Road
Waller, Texas 77484
713-861-2500-Telephone
713-863-2382-Facsimile

Functional Parts

Part

No: **Description:**

B1368056	BLOWER WHEEL
CAP100000440LA	CAP 10 MFD/440V/OVAL (M2)
CAP100000370LA	CAP, 10 MFD/370V/OVAL (M1)
CAP050000440LA	CAPACITOR (M3)
ZPS60K5ETFD130	COMP, 60900, 460/60/3 2 STAGE (M2)
ZPS60K5ETF5130	COMP, 61000, 200/230/60/3 2 ST (M1)
ZPS60K5ETFE130	COMP, 61000, 575/60/3 2 STAGE (M3)
CONT3P025024V	CONT, 3 POLE, 25 AMP, 24 VAC (QTY 2)
CONT3P030024V	CONT, 3 POLE, 30 AMP, 24 VAC (M1)
0130M00178	DPDT RELAY 24VAC (QTY 2)
B1086765	FAN BLADE, TYPE 3
0130M00280	HIGH PRESSURE SWITCH
0130M00087	LOW PRESSURE SWITCH
0131L00041	MOTOR 2 HP BELT DRIVE 208-230V (M1)
0131L00043	MOTOR 2HP BELT DRIVE 460V (M2)
0131L00042	MOTOR 2HP BELT DRIVE 575V (M3)
0131M00430	MOTOR, 1/3 HP, 1 SP, 6 PL (M1)
0131M00774	MOTOR, 1/3 HP, OD (M2)
0131M00858	MOTOR, 1/3 HP, OD (M3)
PCBFM103	PCB, TIME DELAY, EBTDR
0130M00038	TERMINAL BOARD
B1370772	TIME DEALY (ICM) 180 SEC DELA
0130M00598	TRANSFMR, 75VA, 575V TO 24V (M3)
0130M00595	TRANSFORMER, 75VA, 480V TO 24V (M2)
B1141654	TRANSFORMER,208-240,75VA,RESET (M1)

SPECIAL PARTS

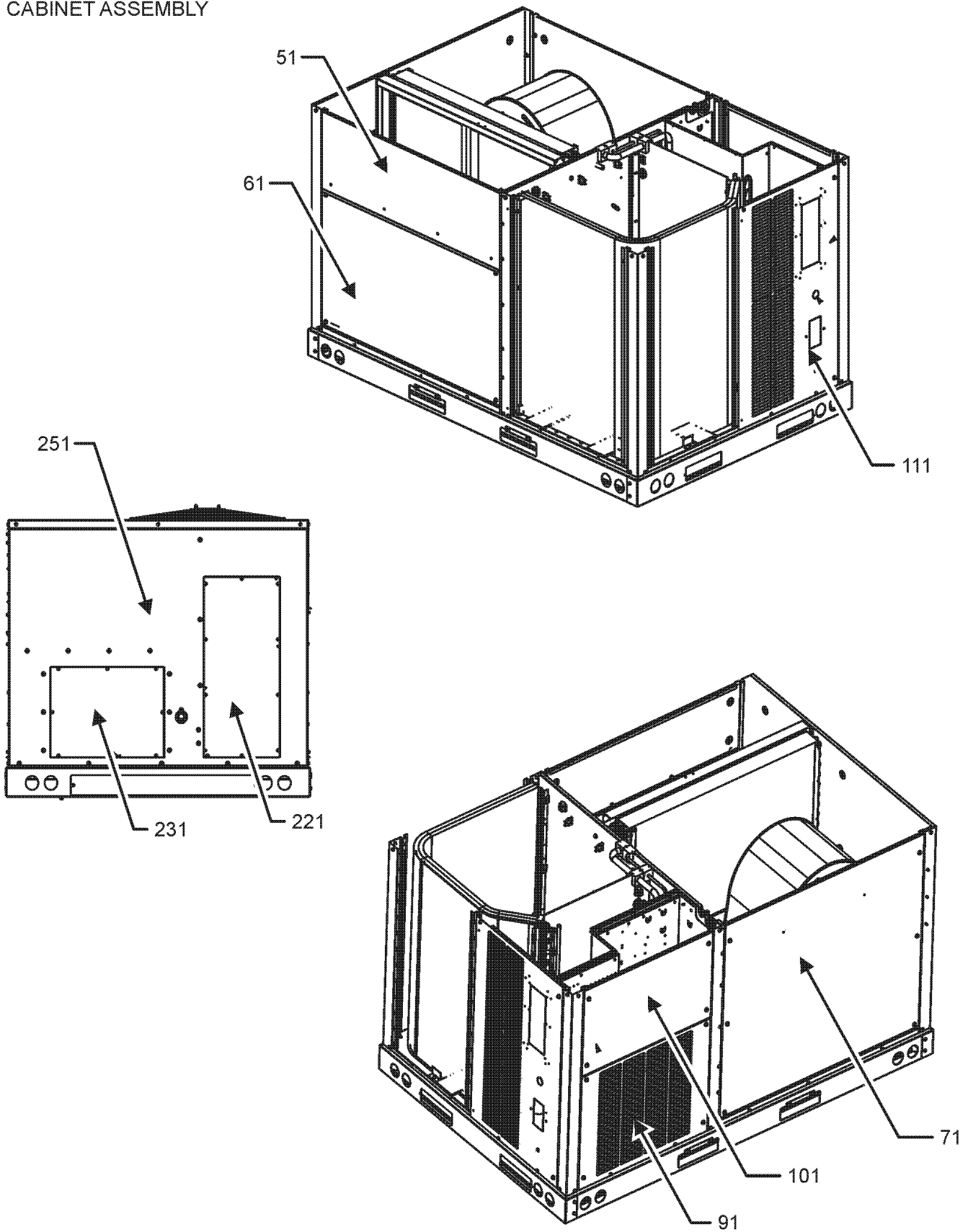
RP-FIOPSC* ACCESSORY RP MANUAL

Expanded Model Nomenclature

M1 - DBC0723V000001SAA
M2 - DBC0724V000001SAA
M3 - DBC0727V000001SAA

CABINET ASSEMBLY

CABINET ASSEMBLY



CABINET ASSEMBLY

Ref. Part No:	No:	Description:	Ref. Part No:	No:	Description:
---------------	-----	--------------	---------------	-----	--------------

Image 1:

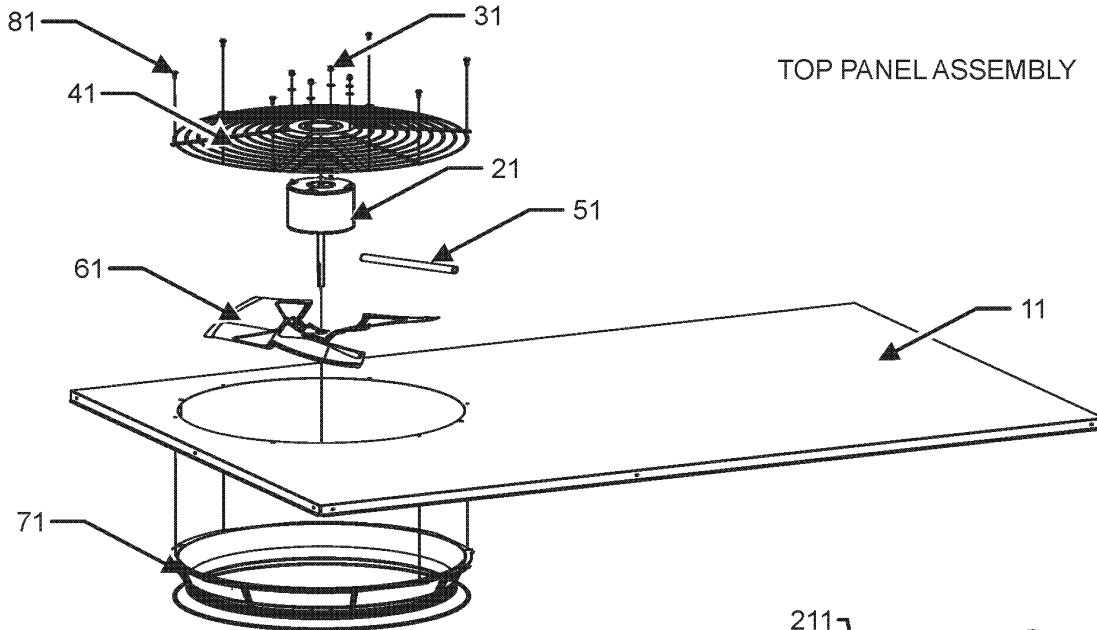
51	0121L01650SB	PAINTED FILTER PANEL
61	0121L01651SB	PAINTED ECONOMIZER PANEL
71	0121L02264SB	PAINTED BLOWER PANEL
91	0121L02265SB	PAINTED COMPRESSOR PANEL
101	0121L02262SB	PAINTED CONTROL BOX PANEL
111	0121L03643SB	PAINTED, COMPRESSOR BACK PANEL
221	0121L02910SB	PAINTED COVER-DUCT RETURN
231	0121L02911SB	PAINTED COVER-DUCT SUPPLY
251	0121L03346SB	PAINTED, DUCT PANEL

Expanded Model Nomenclature

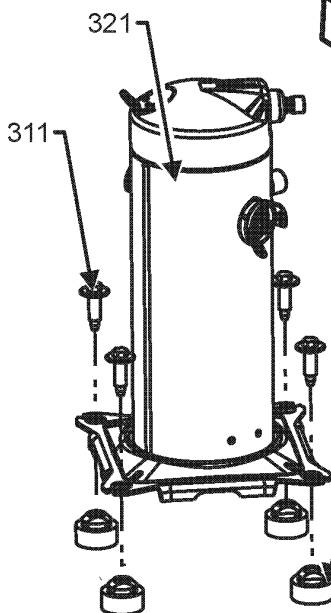
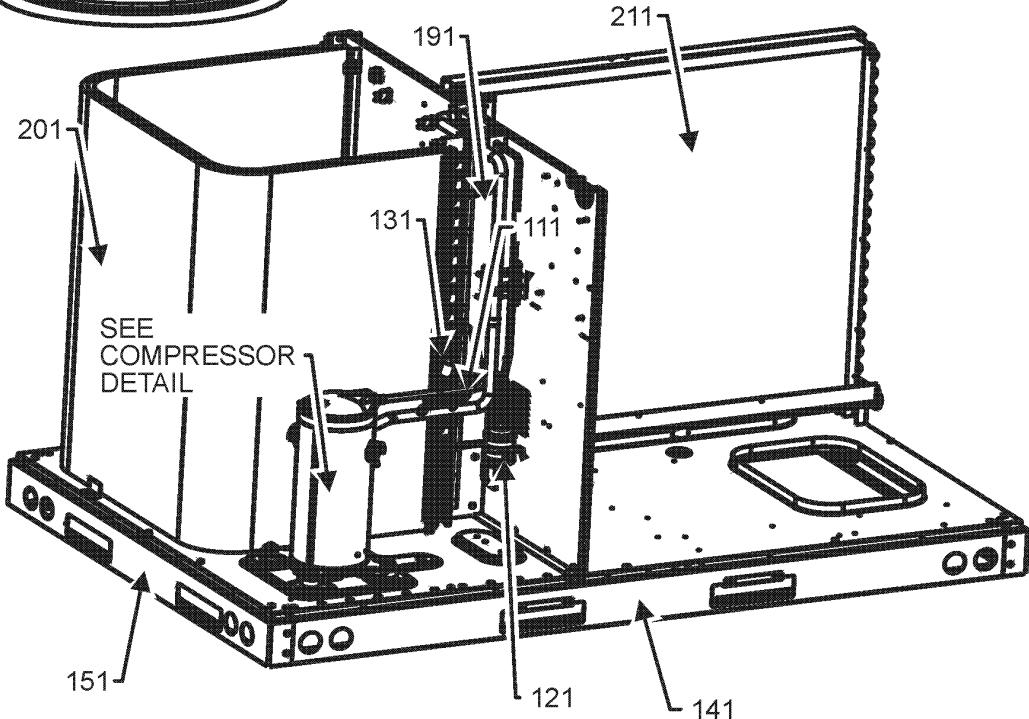
M1 - DBC0723V000001SAA
M2 - DBC0724V000001SAA
M3 - DBC0727V000001SAA

TOP PANEL AND TUBING ASSEMBLY

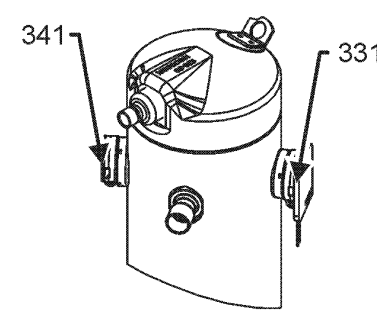
TOP PANEL ASSEMBLY



TUBING ASSEMBLY



COMPRESSOR DETAIL



TUBING ASSEMBLY MAY DIFFER FROM WHAT IS SHOWN

TOP PANEL AND TUBING ASSEMBLY

Ref. Part No: No:	Description:	Ref. Part No: No:	Description:
-------------------	--------------	-------------------	--------------

Image 1:

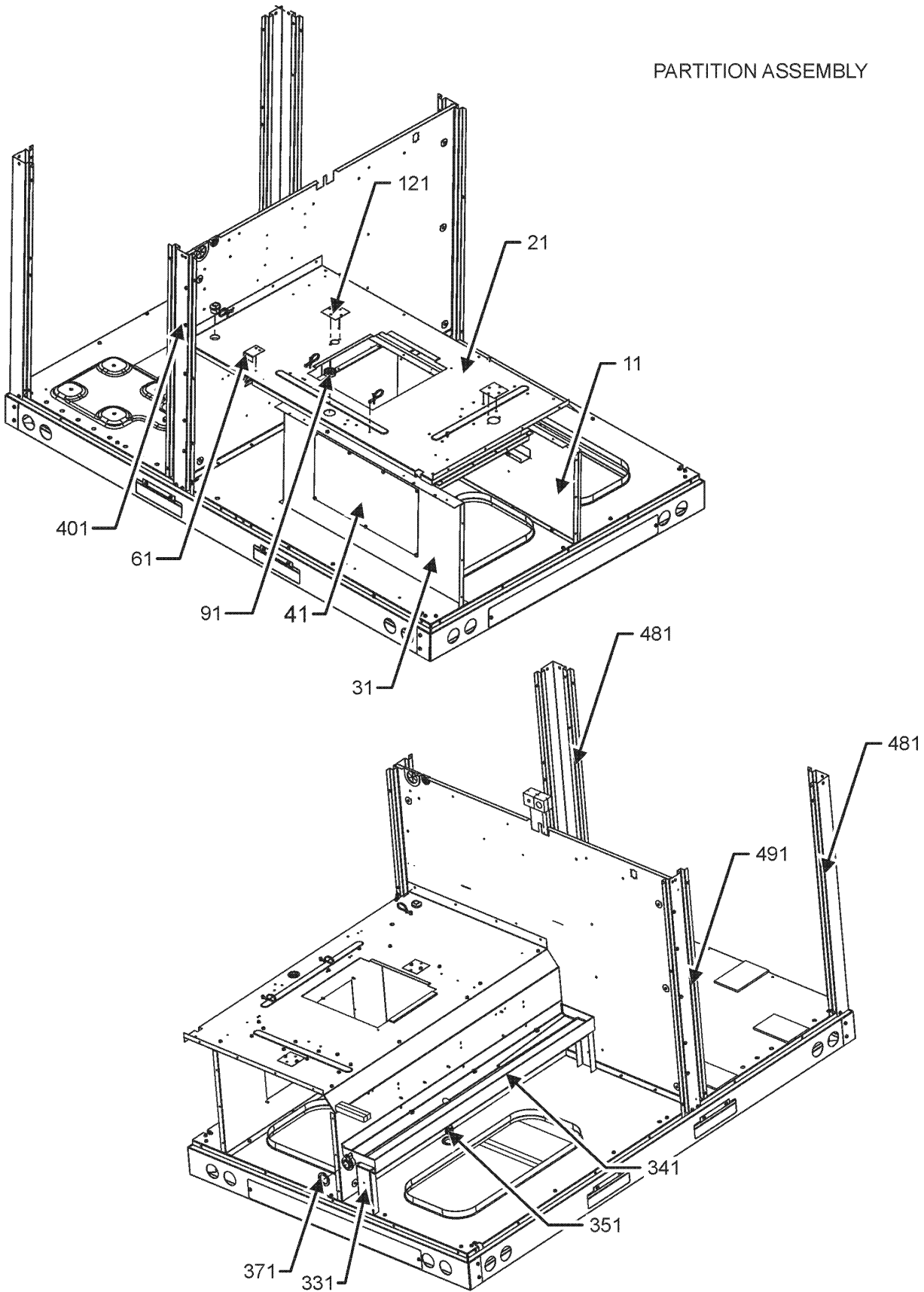
11	0121L01626SB	PAINTED, TOP PANEL
21	0131M00430	MOTOR, 1/3 HP, 1 SP, 6 PL (M1)
21	0131M00774	MOTOR, 1/3 HP, OD (M2)
21	0131M00858	MOTOR, 1/3 HP, OD (M3)
31	0163M00006P	ACORN NUT 5/16 HEX BLACK (QTY 4)
41	0152G00000	FAN GRILLE, RAISED
51	0161R00003P	CONDUIT
61	B1086765	FAN BLADE, TYPE 3
71	0161R00048	MOLDED RING-VENTURI 22
81	0163M00004	SCREW #10X3/4", BLACK (QTY 8)
111	0130M00087	LOW PRESSURE SWITCH
121	20485201	FILTER/DRIER-BI-FLOW
131	0130M00280	HIGH PRESSURE SWITCH
141	0121L01620	SMALL SIDE RAIL (QTY 2)
151	0121L01621	SMALL END RAIL (QTY 2)
191	0121L01634	OD COIL BLOCKOFF
201	0201L00323	ASSY., OD COIL TUBING
211	0202L00423	ASSY., EVAP TUBING
301	B1339533	COMPRESSOR GROMMET (QTY 4)
311	B1393740	COMP. BOLT & SLEEVE (QTY 4)
321	ZPS60K5ETFD130	COMP, 60900, 460/60/3 2 STAGE (M2)
321	ZPS60K5ETF5130	COMP, 61000, 200/230/60/3 2 ST (M1)
321	ZPS60K5ETFE130	COMP, 61000, 575/60/3 2 STAGE (M3)
331	0159L00065	Harness, comp scroll
341	0159G00010	CABLE, COMPR SCROLL
NS	0141L00003X	BOARD-FORK (QTY 3)
NS	0121L03516	PNL, BRACKET, FORK BOARD (QTY 4)
NS	0163M00005P	WASHER, BLACK (.50 OD .218ID) (QTY 4)

Expanded Model Nomenclature

M1 - DBC0723V000001SAA
M2 - DBC0724V000001SAA
M3 - DBC0727V000001SAA

PARTITION ASSEMBLY

PARTITION ASSEMBLY



PARTITION ASSEMBLY

Ref. Part No:	No:	Description:	Ref. Part No:	No:	Description:
---------------	-----	--------------	---------------	-----	--------------

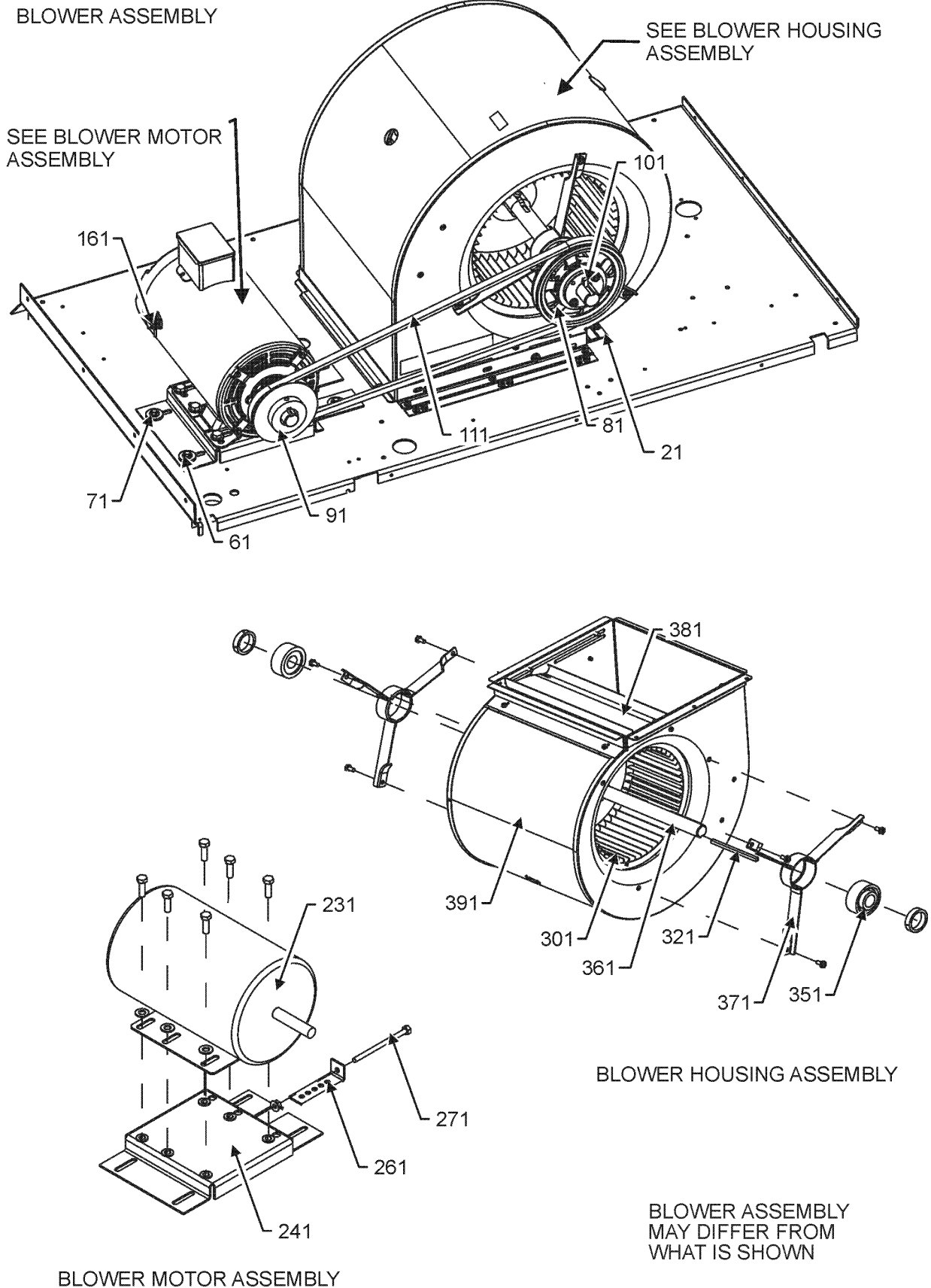
Image 1:

11	0121L02584	BLOWER DECK SIDE			
21	0121L03869	BLOWER DECK			
31	0121L02986	HEAT KIT BOX			
41	0121L00144	COVER-ELECTRIC HEAT			
61	0121L01709	BLOWER DECK PLATE			
91	B1392147	UNIVERSIAL BUSHING WITH SLICE (QTY 2)			
121	0121L00321	COVER-SMOKE DETECTOR (QTY 2)			
331	0121L01628	DRAINPAN SUPPORT			
341	0161L00007	DRAIN PAN, EVAPORATOR 3-5 TON			
351	0163L00071	PLUG, DRAIN			
371	0154L00180	GASKET, DRAIN PAN			
401	0121L02698SB	PAINTED SIDE POST			
481	0121L01625SB	PAINTED CORNER POST (QTY 2)			
491	0121L03445SB	PAINTED, SIDE POST			
NS	0160L00173	AIR FILTER 14X20X2 (QTY 2)			
NS	A4568804	GROMMET-D			
NS	0164G00005	GROMMET-HORSESHOW 1.675			
NS	0121L02260	OD COIL BLOCKOFF ANGLE			
NS	0121L03515	RETAINER - ELECTRIC HEAT			

Expanded Model Nomenclature

M1 - DBC0723V000001SAA
M2 - DBC0724V000001SAA
M3 - DBC0727V000001SAA

BLOWER ASSEMBLY



BLOWER ASSEMBLY

Ref. Part No:	Ref. Part No:	Description:	Description:
---------------	---------------	--------------	--------------

Image 1:

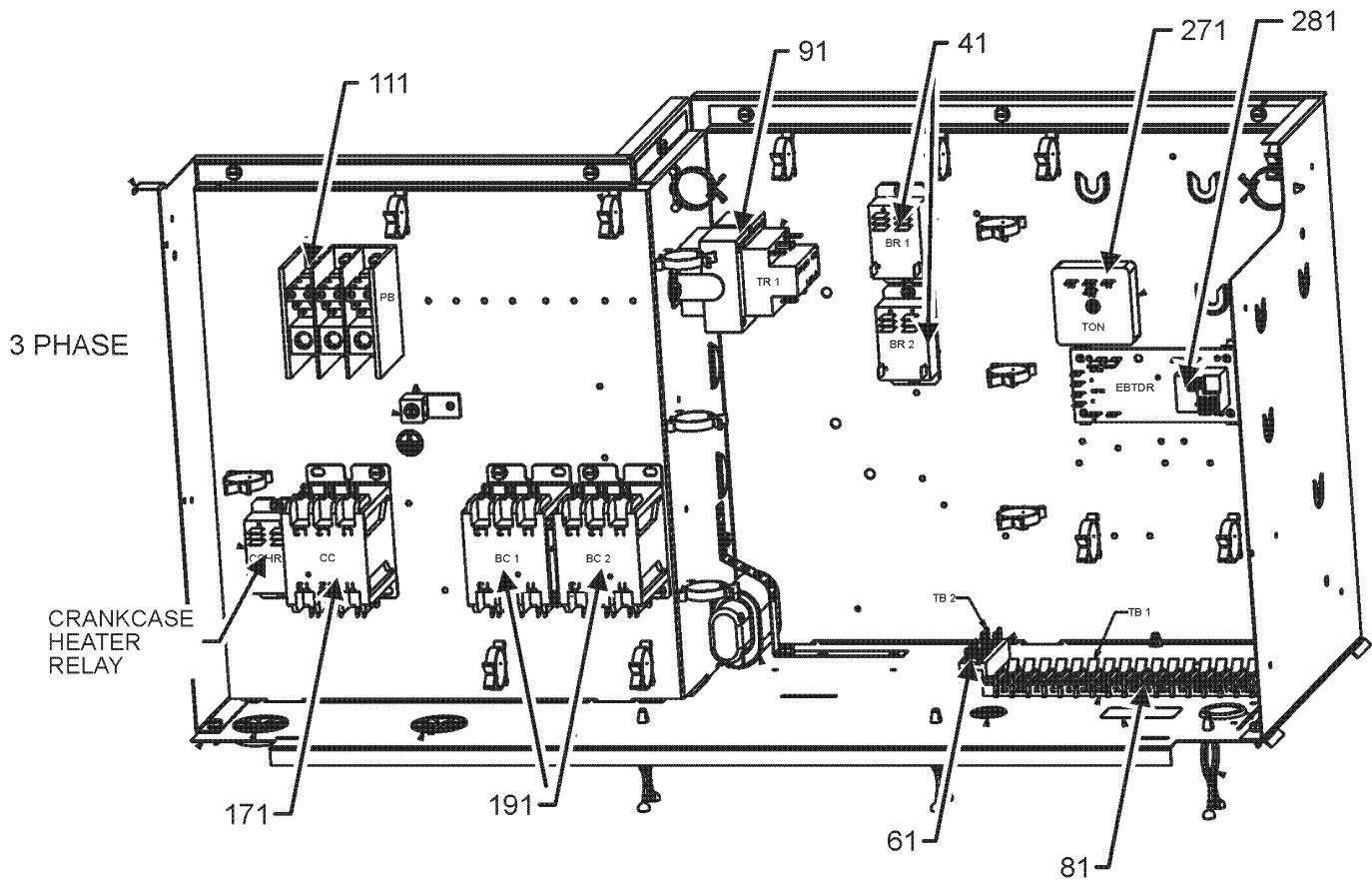
21	0121L00297	ANGLE-BLOWER SLIDE
61	B1393738	BOLT, 1/4-20X3/4 (QTY 5)
71	B1392918	WASHER, FLAT 1/4IDX1OD (QTY 4)
81	0163L00276	SHEAVE, FIXED AK56H
91	B2120014	VARIABLE PITCH SHEAVE1VL44/7/8
101	0163M00407	MACHINE KEY, SPECIAL
111	0164L00000	FAN BELT, NOTCHED AX51
161	B1393726	ELECT CONNECTING BUSHING
231	0131L00041	MOTOR 2 HP BELT DRIVE 208-230V (M1)
231	0131L00043	MOTOR 2HP BELT DRIVE 460V (M2)
231	0131L00042	MOTOR 2HP BELT DRIVE 575V (M3)
241	0121L03915	MOTOR BASE
261	3225000F	ANGLE, BELT TIGHTENER
271	0163M00045	BOLT 1/4-20X4
301	B1368056	BLOWER WHEEL
321	B1398603	STEEL KEY 4.5"
351	0163L00247	BEARING BALL, MOUNTED (QTY 2)
361	0163L00005	SHAFT-BLOWER BELT DRIVE
371	B3201300	MOUNTING BRACKET BEARING (QTY 2)
381	1864703	BLOWER CUT-OFF ASM,5TON,MORRIS
391	2539302F	BLWR SHL ASSM 11X10 1X10
NS	0121L03918	ANGLE-BLOWER MOUNT
NS	0121L02974	BLOWER SLIDE PLAE
NS	0121L00050	BRACET-BLOWRE MTG
NS	0163L00131	BUSHING 1"
NS	B1446707	SCREW 5/16-18X1 (QTY 6)
NS	B1392923	WASHER/FLAT (QTY 6)

Expanded Model Nomenclature

M1 - DBC0723V000001SAA
M2 - DBC0724V000001SAA
M3 - DBC0727V000001SAA

CONTROL BOX ASSEMBLY

CONTROL BOX ASSEMBLY



CONTROL BOX ASSEMBLY MAY DIFFER FROM WHAT IS SHOWN

CONTROL BOX ASSEMBLY

Ref. Part No:	No:	Description:	Ref. Part No:	No:	Description:
---------------	-----	--------------	---------------	-----	--------------

Image 1:

41	0130M00178	DPDT RELAY 24 VAC (QTY 2)
61	802007090	TERM BOARD
81	0130M00038	TERMINAL BOARD
91	0130M00598	TRANSFMR, 75VA, 575V TO 24V (M3)
91	0130M00595	TRANSFORMER, 75VA, 480V TO 24V (M2)
91	B1141654	TRANSFORMER,208-240,75VA,RESET (M1)
111	0130M00509	BLOCK-POWER
161	CAP100000440LA	CAP 10 MFD/440V/OVAL (M2)
161	CAP100000370LA	CAP, 10 MFD/370V/OVAL (M1)
161	CAP050000440LA	CAPACITOR (M3)
171	CONT3P025024V	CONT, 3 POLE, 25 AMP, 24 VAC (M2, M3)
171	CONT3P030024V	CONT, 3 POLE, 30 AMP, 24 VAC (M1)
191	CONT3P025024V	CONT, 3 POLE, 25 AMP, 24 VAC (QTY 2)
271	B1370772	TIME DEALY (ICM) 180 SEC DELA
281	PCBFM103	PCB, TIME DELAY, EBTDR
NS	B821700	BOOT, CAPACITOR
NS	20520901	STRAP-CAPACI TOR

Expanded Model Nomenclature

M1 - DBC0723V000001SAA
M2 - DBC0724V000001SAA
M3 - DBC0727V000001SAA

ACCESSORY PARTS LIST

NOTE: NOT ALL OPTIONS AVAILABLE FOR ALL PRODUCTS

FOR ACCESSORY PARTS SEE THE FOLLOWING PART MANUAL

RP-FIOPSC

ACCESSORY PARTS

Ref. Part

No: No:

Description:

Ref. Part

No: No:

Description:

Image 1:

NS RP-FIOPSC* ACCESSORY RP MANUAL

Expanded Model Nomenclature

M1 - DBC0723V000001SAA

M2 - DBC0724V000001SAA

M3 - DBC0727V000001SAA