

DBH 4 Ton Direct Drive Commercial Package Heat Pump

DBH0483B000001SAA
DBH0484B000001SAA
DBH0487B000001SAA



This manual is to be used by qualified technicians only.

Important Information

Index

Functional Parts List	3
Illustration and Parts	4 - 15

Views shown are for parts illustrations only, not servicing procedures

Text Codes:

AR - As Required

NA - Not Available

NS - Not Shown

00000000 - See Note

QTY - Quantity Example (QTY 3) (If Quantity not shown, Quantity = 1)

M - Model Example (M1) (If M Code not shown, then part is used on all Models)

Expanded Model Nomenclature:

Example M1 - Model#1 M2 - Model#2 M3 - Model#3

Daikin Company, L.P. is not responsible for personal injury or property damage resulting from improper service. Review all service information before beginning repairs.

Warranty service must be performed by an authorized technician, using authorized factory parts. If service is required after the warranty expires, Daikin Company, L.P. also recommends contacting an authorized technician and using authorized factory parts.

Daikin Company, L.P. reserves the right to discontinue, or change at any time, specifications or designs without notice or without incurring obligations.

For assistance within the U.S.A. contact:

Equipment Support
Daikin North America, LLC
19001 Kermier Road
Waller, Texas 77484
855-770-5678-Telephone
713-863-2382-Facsimile

For assistance outside the U.S.A. contact:

International Division
Daikin North America, LLC
19001 Kermier Road
Waller, Texas 77484
713-861-2500-Telephone
713-863-2382-Facsimile

Functional Parts

Part

No: **Description:**

0150G00004	BLADE, FAN 24 OA SERIES
B1368056	BLOWER WHEEL
CAP100000370LA	CAP, 10 MFD/370V/OVAL (M1)
CAP050000440LA	CAPACITOR (M2, M3)
ZP39K5ETFD130	COMP, 39000, 460/60/3 (M2)
ZP39K5ETF5130	COMP, 39000,200/230/60/3 (M1)
ZP39K5ETFE130	Comp, 39000,575/60/3 (M3)
CONT2P025024V	CONT, 2 POLE, 25 AMP, 24 VAC
CONT3P025024V	CONT, 3 POLE, 25 AMP, 24VAC (QTY 2)
0130M00101	CONTROL, DEFROST
0130M00178	DPDT RELAY 24VAC (QTY 2)
0130L00209	HEATER, CRANKCASE 240V, 40W (M1)
0130L00211	HEATER, CRANKCASE 480V, 40W (M2)
0130L00213	HEATER, CRANKCASE 575V, 40W (M3)
0130M00280	HIGH PRESSURE SWITCH
0130M00075	LOW PRESSURE SWITCH
0131M00837	MOTOR, 1/4 HP, OD (M1)
0131M00838	MOTOR, 1/4 HP, OD (M2)
0131M00839	MOTOR, 1/4 HP, OD (M3)
0131L00003	MOTOR-1 HP BELT DRIVE (M1, M2)
0131L00004	MOTOR-1.5 HP BELT DRIVE 575 (M3)
PCBFM103	PCB, TIME DELAY EBTDR
PCBDM133	PCB,DEFROST CONTROL
0151R00071	REVERSING VALVE
B1225022	SOLENOID COIL
0130M00199	SWITCH, CRANK CASE HEATER
0130M00038	TERMINAL BOARD
0130M00598	TRANSFMR, 75VA, 575V TO 24V (M3)
0130M00595	TRANSFORMER, 75VA, 480V TO 24V (M2)
B1141654	TRANSFORMER,208-240,75VA,RESET (M1)

SPECIAL PARTS

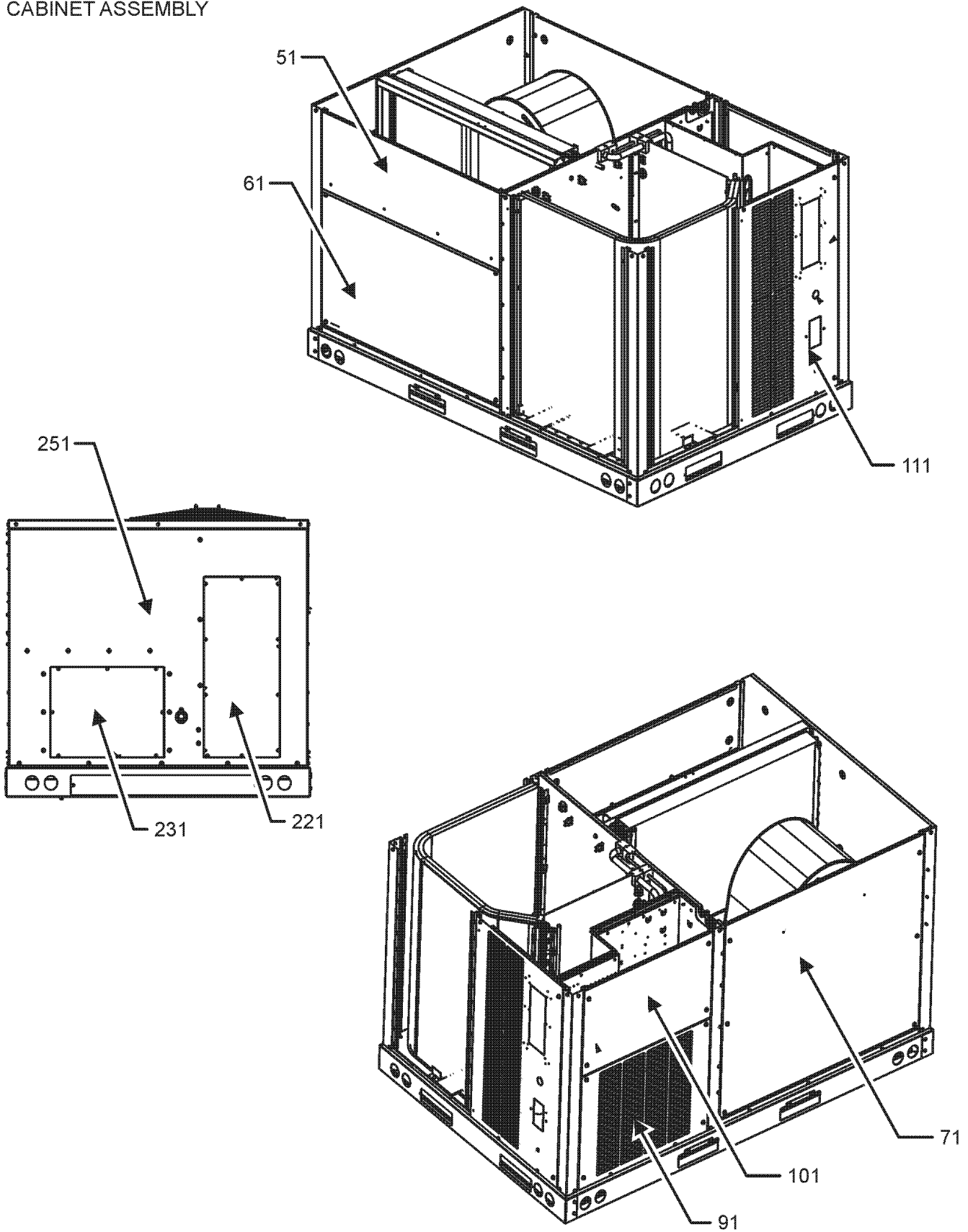
RP-FIOPSC* ACCESSORY RP MANUAL

Expanded Model Nomenclature

M1 - DBH0483B000001SAA
M2 - DBH0484B000001SAA
M3 - DBH0487B000001SAA

CABINET ASSEMBLY

CABINET ASSEMBLY



CABINET ASSEMBLY

Ref. Part No:	No:	Description:	Ref. Part No:	No:	Description:
---------------	-----	--------------	---------------	-----	--------------

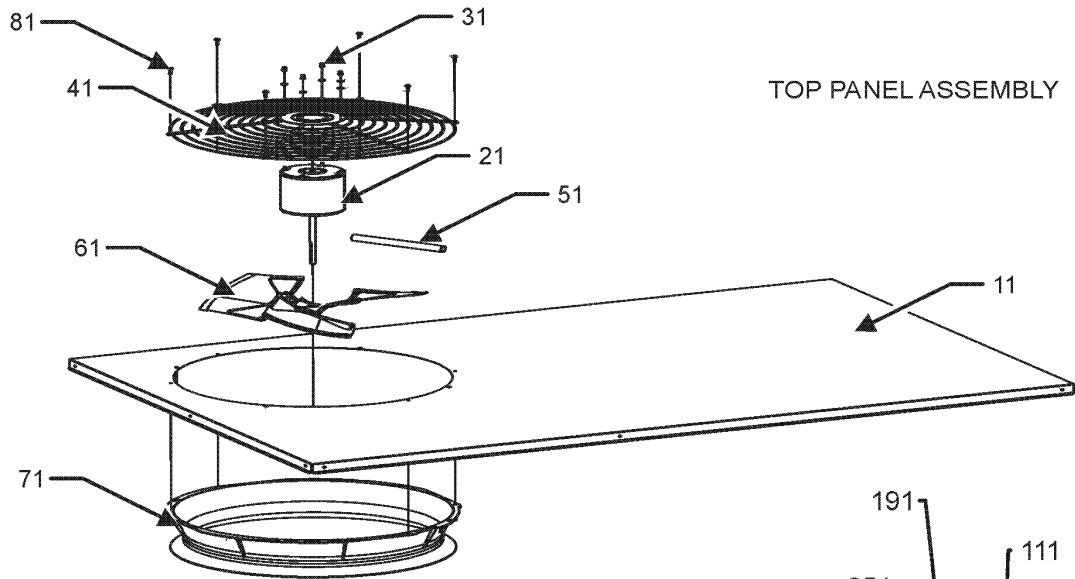
Image 1:

51	0121L01734SB	PAINTED FILTER PANEL
61	0121L01651SB	PAINTED ECONOMIZER PANEL
71	0121L02261SB	PAINTED BLOWER PANEL
91	0121L02263SB	PAINTED COMPRESSOR PANEL
101	0121L02262SB	PAINTED CONTROL BOX PANEL
111	0121L03642SB	PAINTED, COMPRESSOR BACK PANEL
221	0121L02910SB	PAINTED COVER-DUCT RETURN
231	0121L02911SB	PAINTED COVER-DUCT SUPPLY
251	0121L03336SB	PAINTED, DUCT PANEL

Expanded Model Nomenclature

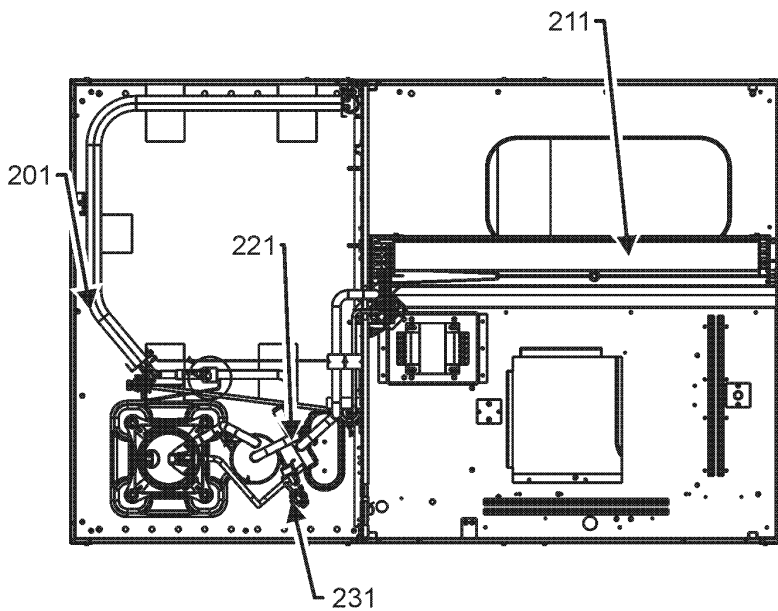
M1 - DBH0483B000001SAA
M2 - DBH0484B000001SAA
M3 - DBH0487B000001SAA

TOP PANEL AND TUBING ASSEMBLY

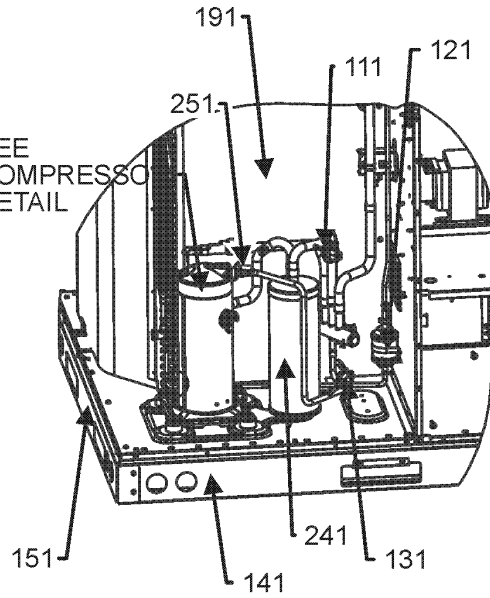


TOP PANEL ASSEMBLY

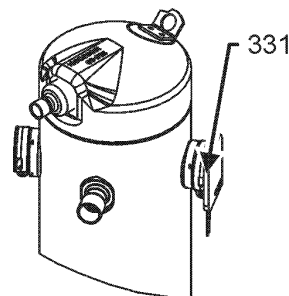
TUBING ASSEMBLY



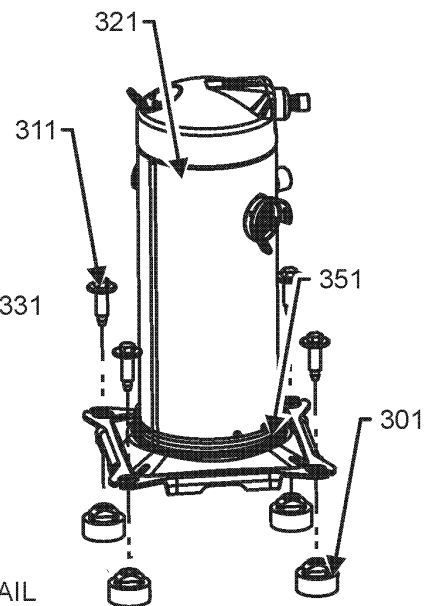
SEE COMPRESSOR
DETAIL



TUBING ASSEMBLY MAY
DIFFER FROM WHAT IS
SHOWN



COMPRESSOR DETAIL



TOP PANEL AND TUBING ASSEMBLY

Ref. Part No: No:	Description:	Ref. Part No: No:	Description:
-------------------	--------------	-------------------	--------------

Image 1:

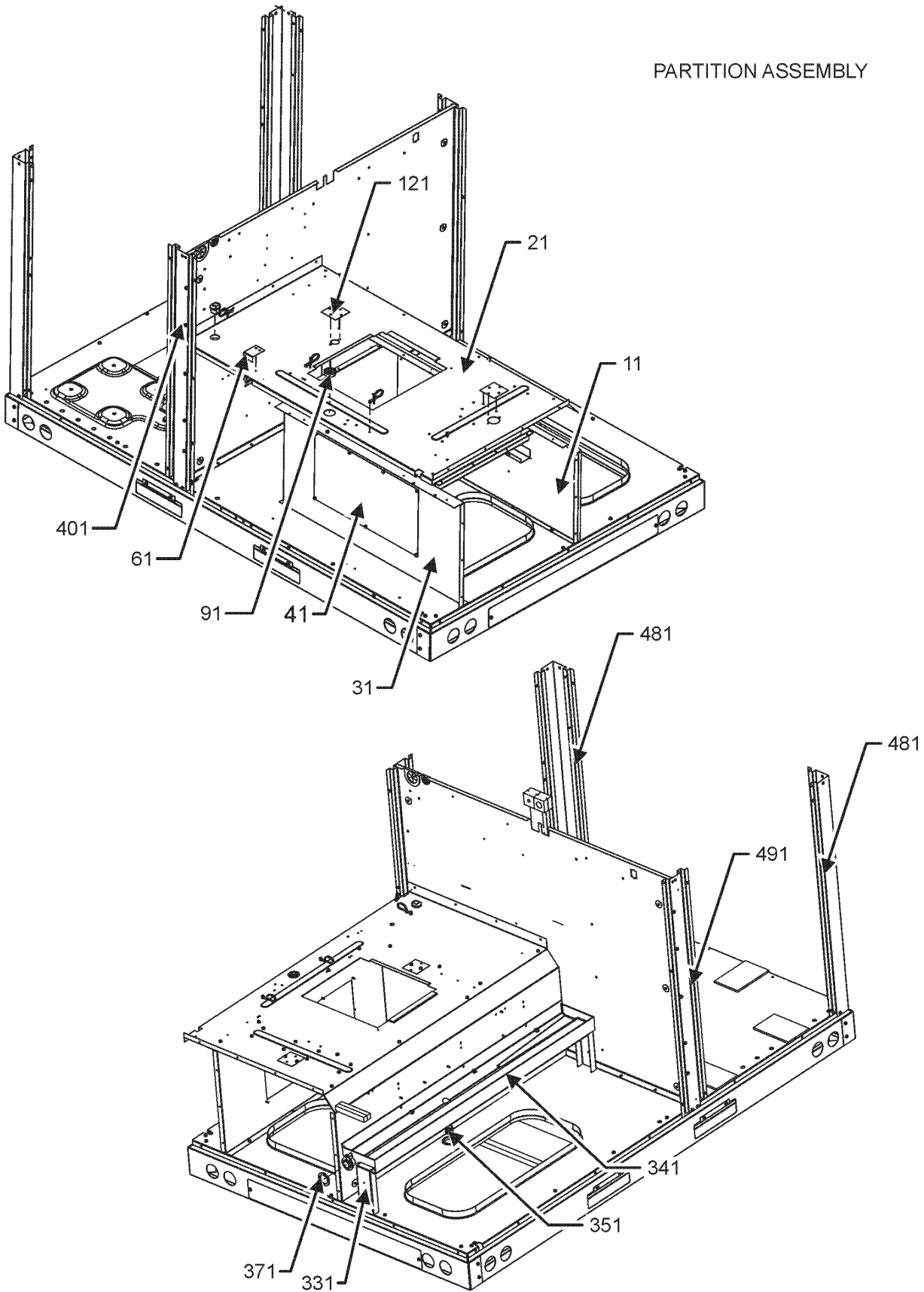
11	0121L01626SB	PAINTED, TOP PANEL
21	0131M00837	MOTOR, 1/4 HP, OD (M1)
21	0131M00838	MOTOR, 1/4 HP, OD (M2)
21	0131M00839	MOTOR, 1/4 HP, OD (M3)
31	0163M00006P	ACORN NUT 5/16 HEX BLACK (QTY 4)
41	0152G00000	FAN GRILLE, RAISED
51	0161R00003P	CONDUIT
61	0150G00004	BLADE, FAN 24 OA SERIES
71	0161L00000	RING VENTURI 22
81	0163M00004	SCREW #10X3/4", BLACK (QTY 8)
111	0130M00075	LOW PRESSURE SWITCH
121	20485201	FILTER/DRIER-BI-FLOW
131	0130M00280	HIGH PRESSURE SWITCH
141	0121L01620	SMALL SIDE RAIL (QTY 2)
151	0121L01621	SMALL END RAIL (QTY 2)
191	0121L03078	BLOCKOFF,OD COIL
201	0201L00564	ASSY., OD, COIL, TUBING
211	0202L00351	ASSY., EVAP TUBING
221	0151R00071	REVERSING VALVE
231	0130M00101	CONTROL, DEFROST
241	0151L00058	ACCUMULATOR
251	0130M00199	SWITCH, CRANK CASE HEATER
301	B1339533	COMPRESSOR GROMMET (QTY 4)
311	B1393740	COMP. BOLT & SLEEVE (QTY 4)
321	ZP39K5ETFD130	COMP, 39000, 460/60/3 (M2)
321	ZP39K5ETF5130	COMP, 39000,200/230/60/3 (M1)
321	ZP39K5ETFE130	Comp, 39000,575/60/3 (M3)
331	0159L00065	Harness, comp scroll
351	0130L00209	HEATER, CRANKCASE 240V, 40W (M1)
351	0130L00211	HEATER, CRANKCASE 480V, 40W (M2)
351	0130L00213	HEATER, CRANKCASE 575V, 40W (M3)
NS	0141L00003X	BOARD-FORK (QTY 2)
NS	0121L03516	PNL, BRACKET, FORK BOARD (QTY 4)
NS	B1225022	SOLENOID COIL
NS	0163M00005P	WASHER, BLACK (.50 OD .218ID) (QTY 4)

Expanded Model Nomenclature

M1 - DBH0483B000001SAA
M2 - DBH0484B000001SAA
M3 - DBH0487B000001SAA

PARTITION ASSEMBLY

PARTITION ASSEMBLY



PARTITION ASSEMBLY

Ref. Part No:	No:	Description:	Ref. Part No:	No:	Description:
---------------	-----	--------------	---------------	-----	--------------

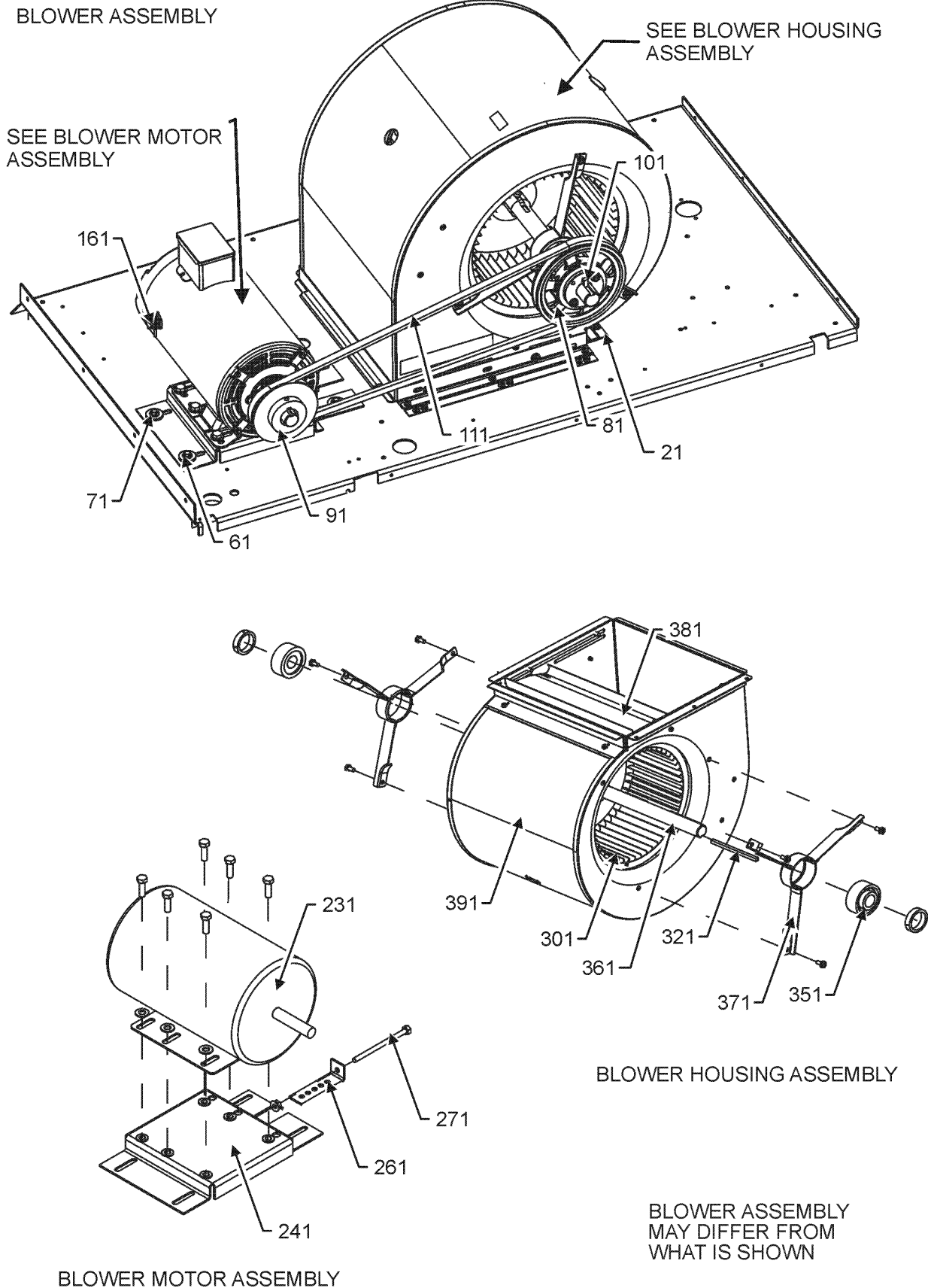
Image 1:

11	0121L02584	BLOWER DECK SIDE			
21	0121L03869	BLOWER DECK			
31	0121L02986	HEAT KIT BOX			
41	0121L00144	COVER-ELECTRIC HEAT			
61	0121L01709	BLOWER DECK PLATE			
91	B1392147	UNIVERSIAL BUSHING WITH SLICE (QTY 2)			
121	0121L00321	COVER-SMOKE DETECTOR (QTY 2)			
331	0121L01729	DRAIN PAN SUPPORT			
341	0161L00007	DRAIN PAN, EVAPORATOR 3-5 TON			
351	0163L00071	PLUG, DRAIN			
371	0154L00180	GASKET, DRAIN PAN			
401	0121L03054SB	PANITED SIDE POST			
481	0121L01728SB	PAINTED CORNER POST (QTY 2)			
491	0121L03442SB	PAINTED, SIDE POST			
NS	0160L00173	AIR FILTER 14X20X2 (QTY 4)			
NS	A4568804	GROMMET-D			
NS	0164G00005	GROMMET-HORSESHOW 1.675			
NS	0121L01954	OD COIL BLOCKOFF ANGLE			
NS	0121L03491	RETAINER - ELECTRIC HEAT			

Expanded Model Nomenclature

M1 - DBH0483B000001SAA
M2 - DBH0484B000001SAA
M3 - DBH0487B000001SAA

BLOWER ASSEMBLY



BLOWER ASSEMBLY

Ref. Part No:	Ref. Part No:	Description:	Description:
---------------	---------------	--------------	--------------

Image 1:

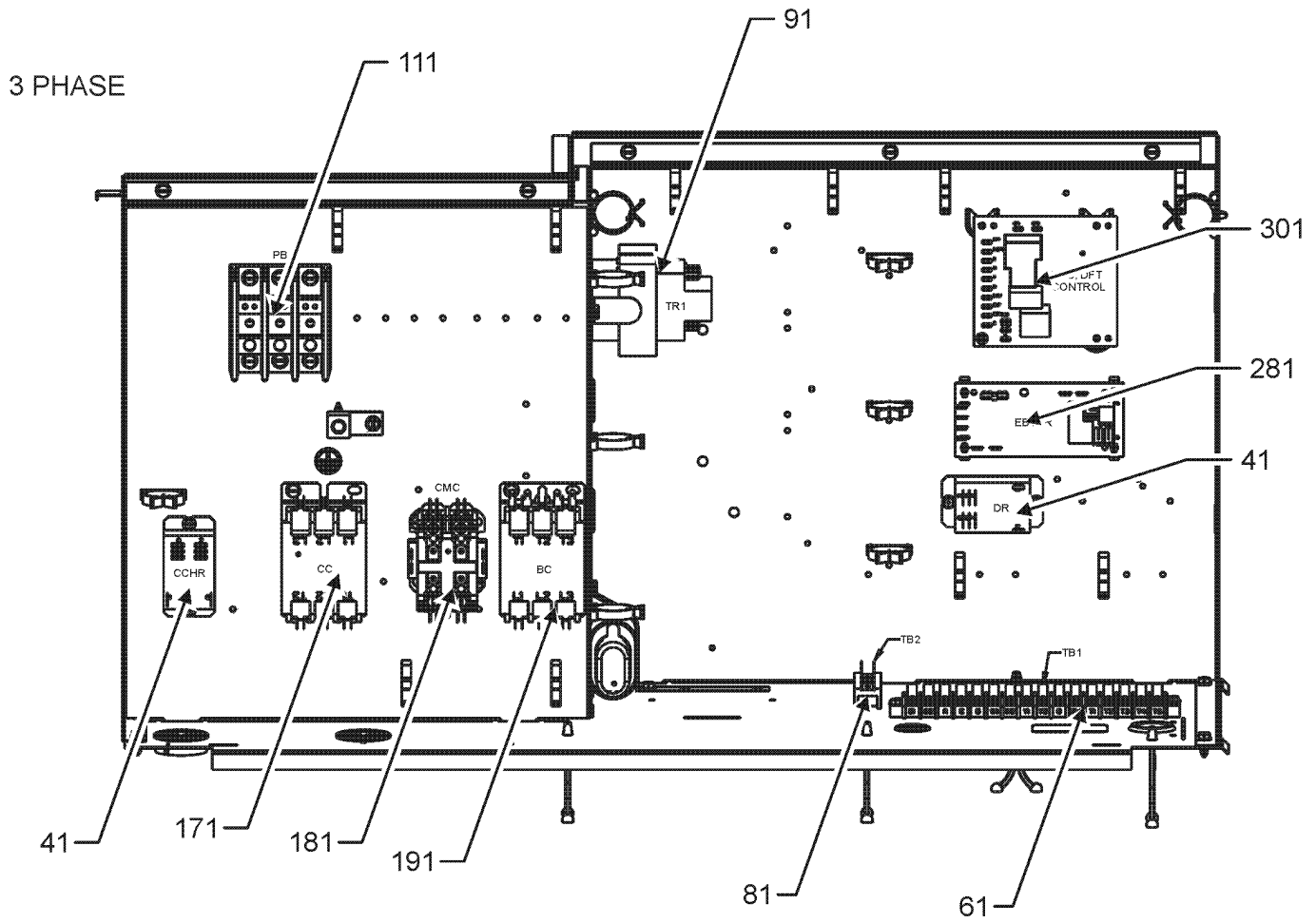
21	0121L00297	ANGLE-BLOWER SLIDE
61	B1393738	BOLT, 1/4-20X3/4 (QTY 5)
71	B1392918	WASHER, FLAT 1/4IDX1OD (QTY 4)
81	0163L00135	SHEAVE, FIXED AK66H
91	0163L00024	VARIABLE PITCH SHEAVE1VL40X5/8
101	0163M00407	MACHINE KEY, SPECIAL
111	0164L00010	FAN BELT NOTC HED, AX52
161	B1393726	ELECT CONNecTING BUSHING
231	0131L00003	MOTOR-1 HP BELT DRIVE (M1, M2)
231	0131L00004	MOTOR-1.5 HP BELT DRIVE 575 (M3)
241	0121L03915	MOTOR BASE
261	3225000F	ANGLE, BELT TIGHTENER
271	0163M00045	BOLT 1/4-20X4
301	B1368056	BLOWER WHEEL
321	B1398603	STEEL KEY 4.5"
351	0163L00247	BEARING BALL, MOUNTED (QTY 2)
361	0163L00005	SHAFT-BLOWER BELT DRIVE
371	B3201300	MOUNTING BRACKET BEARING (QTY 2)
381	1864703	BLOWER CUT-OFF ASM,5TON,MORRIS
391	2539302F	BLWR SHL ASSM 11X10 1X10
NS	0121L03918	ANGLE-BLOWER MOUNT
NS	0121L02974	BLOWER SLIDE PLAE
NS	0121L00050	BRACET-BLOWRE MTG
NS	0163L00131	BUSHING 1"
NS	B1446707	SCREW 5/16-18X1 (QTY 4)
NS	B1392923	WASHER/FLAT (QTY 4)

Expanded Model Nomenclature

M1 - DBH0483B000001SAA
M2 - DBH0484B000001SAA
M3 - DBH0487B000001SAA

CONTROL BOX ASSEMBLY

CONTROL BOX ASSEMBLY



CONTROL BOX ASSEMBLY MAY DIFFER FROM WHAT IS SHOWN

CONTROL BOX ASSEMBLY

Ref. Part No:	No:	Description:	Ref. Part No:	No:	Description:
---------------	-----	--------------	---------------	-----	--------------

Image 1:

41	0130M00178	DPDT RELAY 24 VAC (QTY 2)
61	802007090	TERM BOARD
81	0130M00038	TERMINAL BOARD
91	0130M00598	TRANSFMR, 75VA, 575V TO 24V (M3)
91	0130M00595	TRANSFORMER, 75VA, 480V TO 24V (M2)
91	B1141654	TRANSFORMER,208-240,75VA,RESET (M1)
111	0130M00509	BLOCK-POWER
161	CAP100000370LA	CAP, 10 MFD/370V/OVAL (M1)
161	CAP050000440LA	CAPACITOR (M2, M3)
171	CONT3P025024V	CONT, 3 POLE, 25 AMP, 24VAC
181	CONT2P025024V	CONT, 2 POLE, 25 AMP, 24 VAC
191	CONT3P025024V	CONT, 3 POLE, 25 AMP, 24VAC
281	PCBFM103	PCB, TIME DELAY EBTDR
301	PCBDM133	PCB,DEFROST CONTROL
NS	B821700	BOOT, CAPACITOR
NS	20520901	STRAP-CAPACITOR

Expanded Model Nomenclature

M1 - DBH0483B000001SAA
M2 - DBH0484B000001SAA
M3 - DBH0487B000001SAA

ACCESSORY PARTS LIST

NOTE: NOT ALL OPTIONS AVAILABLE FOR ALL PRODUCTS

FOR ACCESSORY PARTS SEE THE FOLLOWING PART MANUAL

RP-FIOPSC

ACCESSORY PARTS

Ref. Part

No: No:

Description:

Ref. Part

No: No:

Description:

Image 1:

NS RP-FIOPSC* ACCESSORY RP MANUAL

Expanded Model Nomenclature

M1 - DBH0483B000001SAA

M2 - DBH0484B000001SAA

M3 - DBH0487B000001SAA