



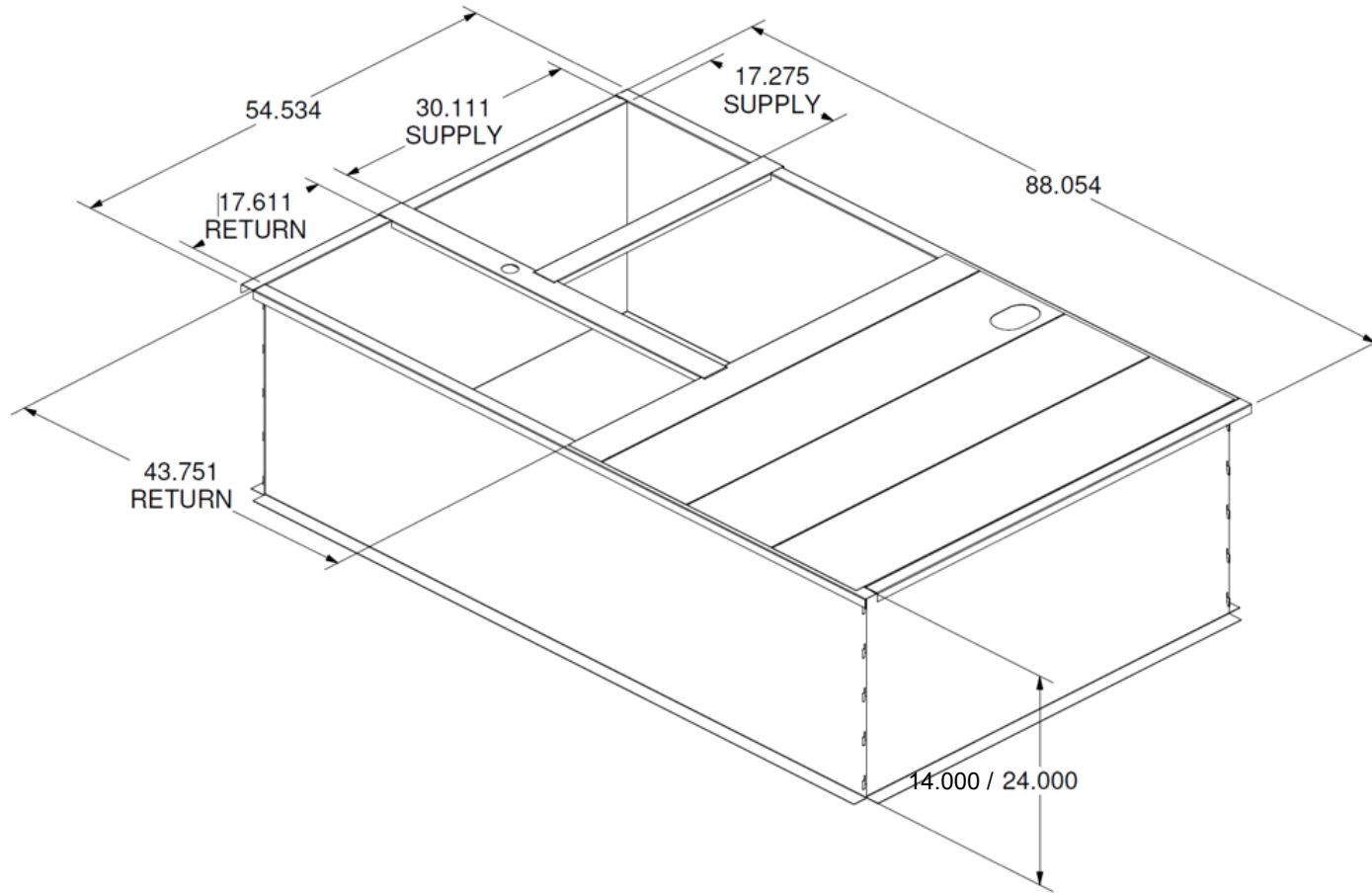
Date:

Specification Sheet for Daikin Medium Cabinet 7.5 to 12.5 Ton
14" and 24" Tall Roof Curb

Submitted To:

Job:

Notes:



The Information contained in this drawing is the sole property of MicroMetl Corporation. Any reproduction in part or whole without the written permission of MicroMetl Corporation is prohibited.