



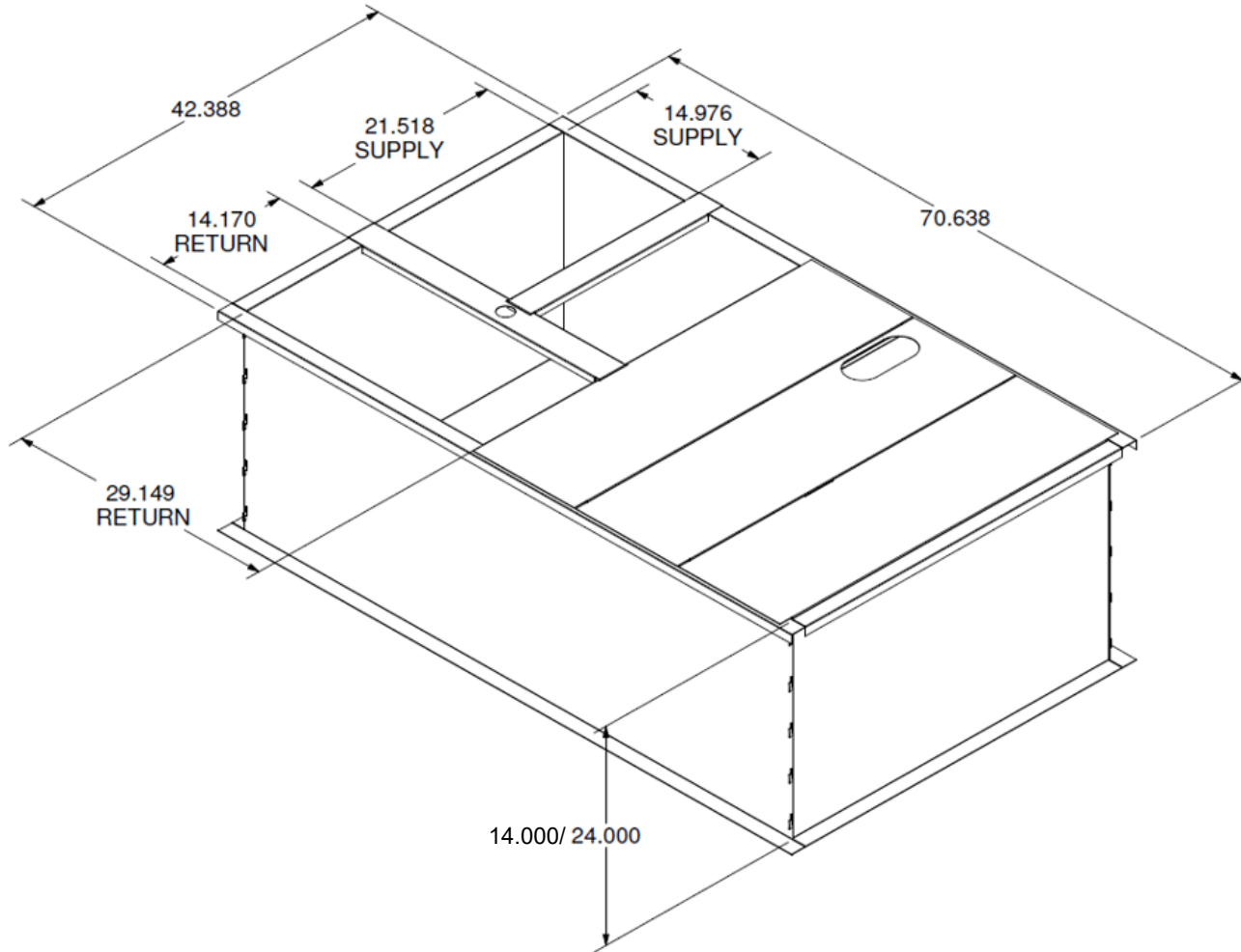
Date:

Specification Sheet for Daikin Small Cabinet 3 to 6 Ton
24" and 14" Roof Curb

Submitted To:

Job:

Notes:



The Information contained in this drawing is the sole property of MicroMetl Corporation. Any reproduction in part or whole without the written permission of MicroMetl Corporation is prohibited.