



## Submittal Data Sheet

7-1/2 Ton AC, Two-Stage, 11.2 EER, 13 IEER, 3-Phase 208/230V 60Hz  
DX11TA0903

### STANDARD FEATURES

- Two-stage energy-efficient compressor
- Quiet operating top discharge
- High-efficiency copper tube / aluminum fin coil
- Brass liquid and suction service valves
- High and Low pressure switches
- Factory installed filter drier
- Complies with ASHRAE 90.1-2016
- AHRI Certified
- ETL Listed

### CABINET FEATURES

- Innovative sound control top design
- Steel louver coil guard protects the coil from damage and adds strength to unit
- Bottom pan rails elevate unit above slab
- Heavy-gauge galvanized steel cabinet
- Attractive Nickel Gray powder paint finish
- When properly anchored, meets the 2010 Florida Building Code unit integrity requirements for hurricane-type winds (Anchor bracket kits available)





## Submittal Data Sheet

7-1/2 Ton AC, Two-Stage, 11.2 EER, 13 IEER, 3-Phase 208/230V 60Hz  
DX11TA0903

### PERFORMANCE

\* VALUES SHOWN ARE FOR AHRI RATED HIGH SALES VOLUME TESTED COMBINATION (HSVTC)

Outdoor Unit Model No.	DX11TA0903	Outdoor Unit Name:	7-1/2 Ton AC, Two-Stage, 11.2 EER, 13 IEER, 3-Phase 208/230V 60Hz
Rated Cooling Conditions:	Indoor (°F DB/WB): 80 / 67 Ambient (°F DB/WB): 95 / 75	Rated Heating Conditions:	Indoor (°F DB/WB): / Ambient (°F DB/WB): /
Max/Min Cooling Capacity (Btu/hr):		Max/Min Heating Capacity (Btu/hr):	
* Rated Cooling Capacity (Btu/hr):	93,000	* Rated Heating Capacity (Btu/hr):	
* EER:	11.20	* Heating COP:	
* SEER:		* HSPF:	

### OUTDOOR UNIT DETAILS

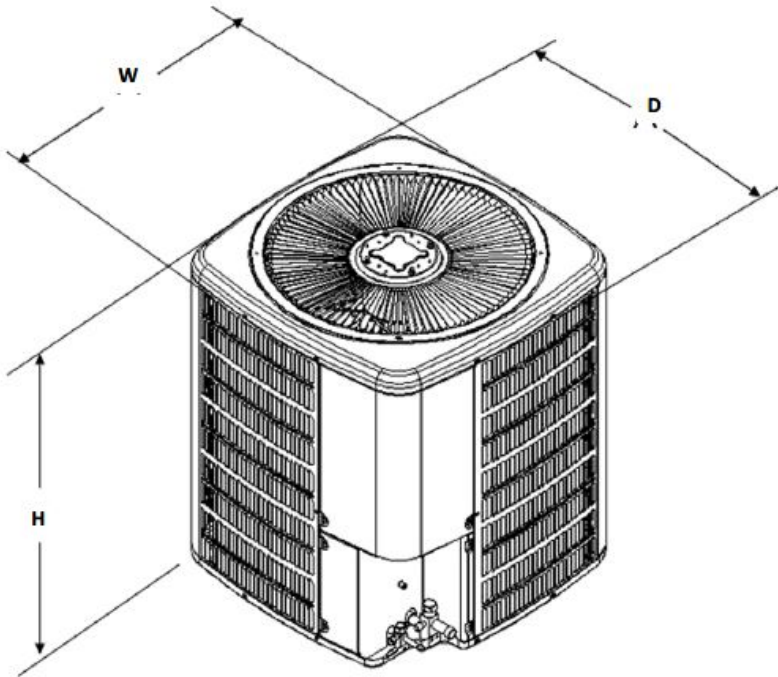
Power Supply (V/Hz/Ph):	208/230 / 60 / 3	Compressor Type:	Two Stage
Min. Circuit Amps MCA (A):	39.2	Airflow Rate (High) (CFM):	
Max Overcurrent Protection (MOP) (A):	60	Suction Valve Connection Size (inch):	7/8
Max Starting Current MSC(A):		Liquid Valve Connection Size (inch):	5/8
Rated Load Amps RLA(A):	26.9	Sound Pressure (High) (dBA):	84
Refrigerant Type:	R-410A	Cooling Operation Range (°F DB):	65 - 115
Holding Refrigerant Charge (ozs):	55	Heating Operation Range (°F WB):	-
Additional Charge (lb/ft):		Max. Pipe Length (Vertical) (ft):	50
Pre-charge Piping (Length) (ft):	15	Min. Cooling Range w/Baffle (°F DB):	55
Max. Pipe Length (Total) (ft):	74	Min. Heating Range w/Baffle (°F DB):	
Net Weight (lb):	325	Gross Weight (lb):	323
Dimensions (HxWxD) (in):	41-1/2 x 35-1/2 x 35-1/2		



## Submittal Data Sheet

7-1/2 Ton AC, Two-Stage, 11.2 EER, 13 IEER, 3-Phase 208/230V 60Hz  
DX11TA0903

## DIMENSIONAL DRAWING



11 EER MODELS	DIMENSIONS		
	W"	D"	H"
DX11TA0903A*	35½"	35½"	41½"
DX11TA0904A*	35½"	35½"	41½"
DX11TA1203A*	35½"	35½"	41½"
DX11TA1204A*	35½"	35½"	41½"