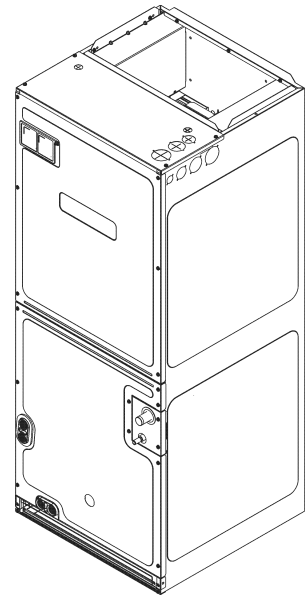


**DV\*\*FEC Air Handler**

DV24FECB14AA  
DV36FECC14AA  
DV42FECC14AA  
DV48FECD14AA  
DV60FECD14AA



This manual is to be used by qualified technicians only.

# Important Information

---

## Index

Functional Parts List .....	3
Illustration and Parts .....	4 - 9

*Views shown are for parts illustrations only, not servicing procedures*

### Text Codes:

AR - As Required

NA - Not Available

NS - Not Shown

00000000 - See Note

QTY - Quantity Example (QTY 3) (If Quantity not shown, Quantity = 1)

M - Model Example (M1) (If M Code not shown, then part is used on all Models)

### Expanded Model Nomenclature:

Example M1 - Model#1 M2 - Model#2 M3 - Model#3
---

Daikin Manufacturing Company, L.P. is not responsible for personal injury or property damage resulting from improper service. Review all service information before beginning repairs.

Warranty service must be performed by an authorized technician, using authorized factory parts. If service is required after the warranty expires, Daikin Manufacturing Company, L.P. also recommends contacting an authorized technician and using authorized factory parts.

Daikin Manufacturing Company, L.P. reserves the right to discontinue, or change at any time, specifications or designs without notice or without incurring obligations.

For assistance within the U.S.A. contact:

Homeowner Support  
Daikin North America, LLC  
19001 Kermier Road  
Waller, Texas 77484  
855-770-5678-Telephone  
713-863-2382-Facsimile

For assistance outside the U.S.A. contact:

International Division  
Daikin North America, LLC  
19001 Kermier Road  
Waller, Texas 77484  
713-861-2500-Telephone  
713-863-2382-Facsimile

# Functional Parts

## Part

## No: Description:

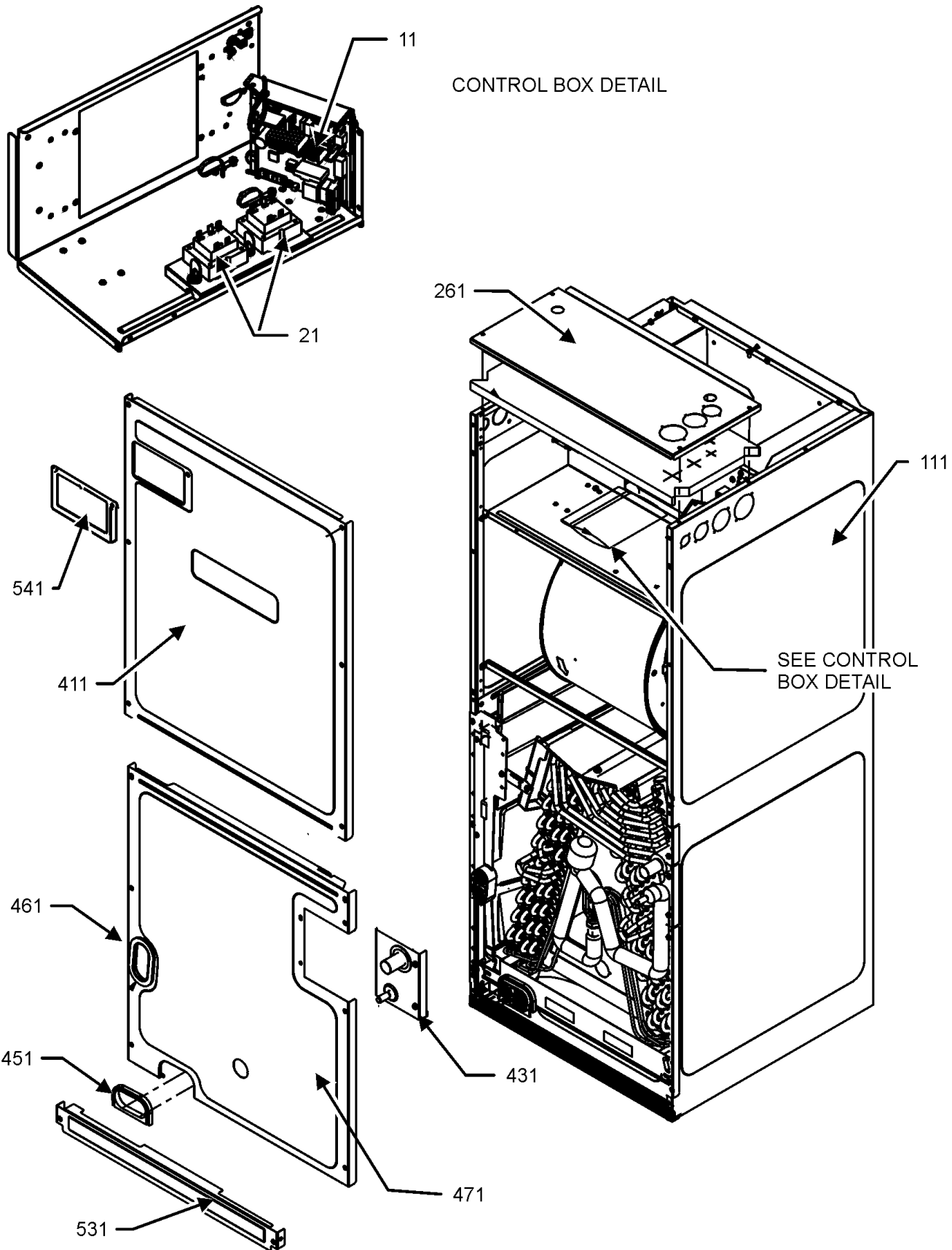
---

0131M00270	MOTOR, 1/2 HP, SERIAL ECM (M1)
0131M00271	MOTOR, 3/4 HP, SERIAL ECM (M2, M3, M4, M5)
2P561240-1	PCB ASSY
3S481012-1	PRESSURE SENSOR
3S500031-1	Pulse Motor Expans EEV
0130A00166	SHARED DATA (M5)
0130A00165	SHARED DATA (M4)
0130A00164	SHARED DATA (M3)
0130A00163	SHARED DATA (M2)
0130A00162	SHARED DATA (M1)
0130M00330	TRANSFORMER, 208/230, 24V (QTY 2)

### Expanded Model Nomenclature

M1 - DV24FECB14AA
M2 - DV36FECC14AA
M3 - DV42FECC14AA
M4 - DV48FECD14AA
M5 - DV60FECD14AA

# WRAPPER & CONTROL BOX ASSY



# WRAPPER & CONTROL BOX ASSY

Ref. Part No:	Part No:	Description:	Ref. Part No:	Part No:	Description:
---------------	----------	--------------	---------------	----------	--------------

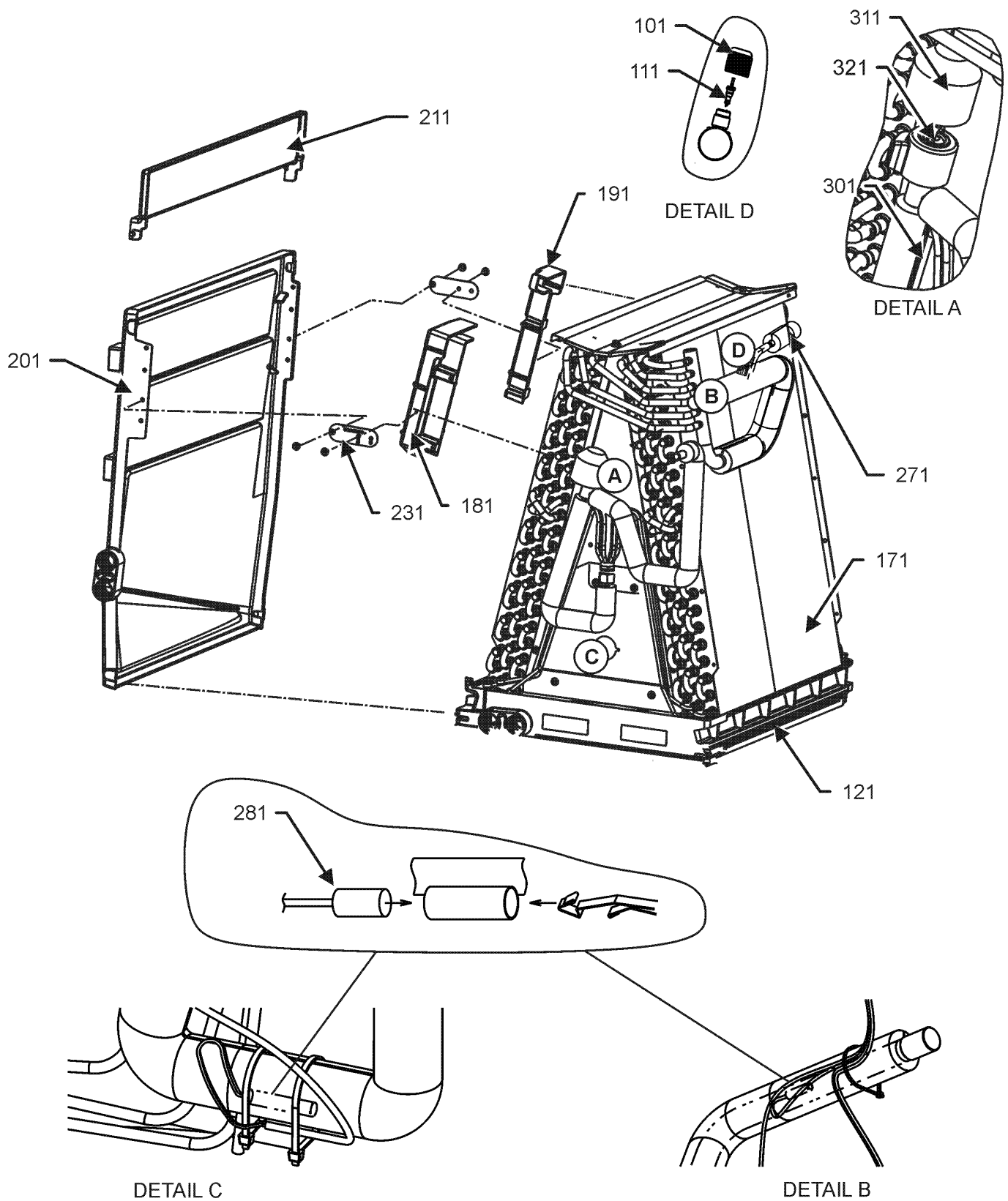
**Image 1:**

11	2P561240-1	PCB ASSY			
21	0130M00330	TRANSFORMER, 208/230, 24V (QTY 2)			
111	0121A00455PNG	Wrapper Painted (M4)			
111	0121A00456PNG	Wrapper Painted (M2, M3)			
111	0121A00276PNG	Wrapper, LG, Painted (M5)			
111	0121A00281PNG	Wrapper, SM, Painted (M1)			
261	0121A00252PNG	PLATE, UPPER TIE (M1)			
261	0121A00253PNG	PLATE, UPPER TIE (M2, M3)			
261	0121A00254PNG	PLATE, UPPER TIE (M4, M5)			
411	0121A00836PNG	PANEL, UPPER ACCESS (M4, M5)			
411	0121A00837PNG	PANEL, UPPER ACCESS (M2, M3)			
411	0121A00838PNG	PANEL, UPPER ACCESS (M1)			
431	0121A00658PNG	Panel, Refrigerant Tubing			
451	0154A00060	GASKET, DRAIN PAN			
461	0154A00007BL	GASKET, DRAIN PAN			
471	0121A01354PNG	PNL LWR ACCESS, AHU (M1)			
471	0121A01356PNG	PNL LWR ACCESS, AHU (M2, M3)			
471	0121A01357PNG	PNL LWR ACCESS, AHU (M4)			
471	0121A01358PNG	PNL LWR ACCESS, AHU (M5)			
531	0121A00242PNG	Panel, Filter Access (M1)			
531	0121A00243PNG	Panel, Filter Access (M2, M3)			
531	0121A00244PNG	Panel, Filter Access (M4, M5)			
541	0161A00073	CIRCUIT BREAKER COVER			
NS	0161A00073	CIRCUIT BREAKER COVER			
NS	0164A00002	GROMMET			
NS	0163M00036	SCREW,#10X1/2,B,BZ,SLOT,SR,BLK (QTY 4)			
NS	0130A00162	SHARED DATA (M1)			
NS	0130A00163	SHARED DATA (M2)			
NS	0130A00164	SHARED DATA (M3)			
NS	0130A00165	SHARED DATA (M4)			
NS	0130A00166	SHARED DATA (M5)			
NS	0163A00026	THUMB SCREW (QTY 2)			
NS	BT1392909	WASHER; SS RETAINING (QTY 2)			
NS	0259A00033P	WIRE ASSY, 9 PIN FEMALE CONN.			
NS	0259A00021	WIRE ASSY, 9 PIN FEMALE CONN. (NO ELEC HEAT)			
NS	0259A00023	WIRE HARNESS (MAIN PCB TO PRES SENSOR)			
NS	0259A00024	WIRE HARNESS (MAIN PCB TO THERMISTORS)			
NS	0259A00025	WIRE HARNESS (PCB TO EEV COIL)			
NS	0259A00031P	WIRE HARNESS, CONNECTOR			

**Expanded Model Nomenclature**

- |                   |
|-------------------|
| M1 - DV24FECD14AA |
| M2 - DV36FECC14AA |
| M3 - DV42FECC14AA |
| M4 - DV48FECD14AA |
| M5 - DV60FECD14AA |

# COIL ASSEMBLY



NOTE: COIL TUBING ASSEMBLY MAY DIFFER FROM WHAT IS SHOWN

# COIL ASSEMBLY

Ref. Part No:	No:	Description:	Ref. Part No:	No:	Description:
---------------	-----	--------------	---------------	-----	--------------

---

**Image 1:**

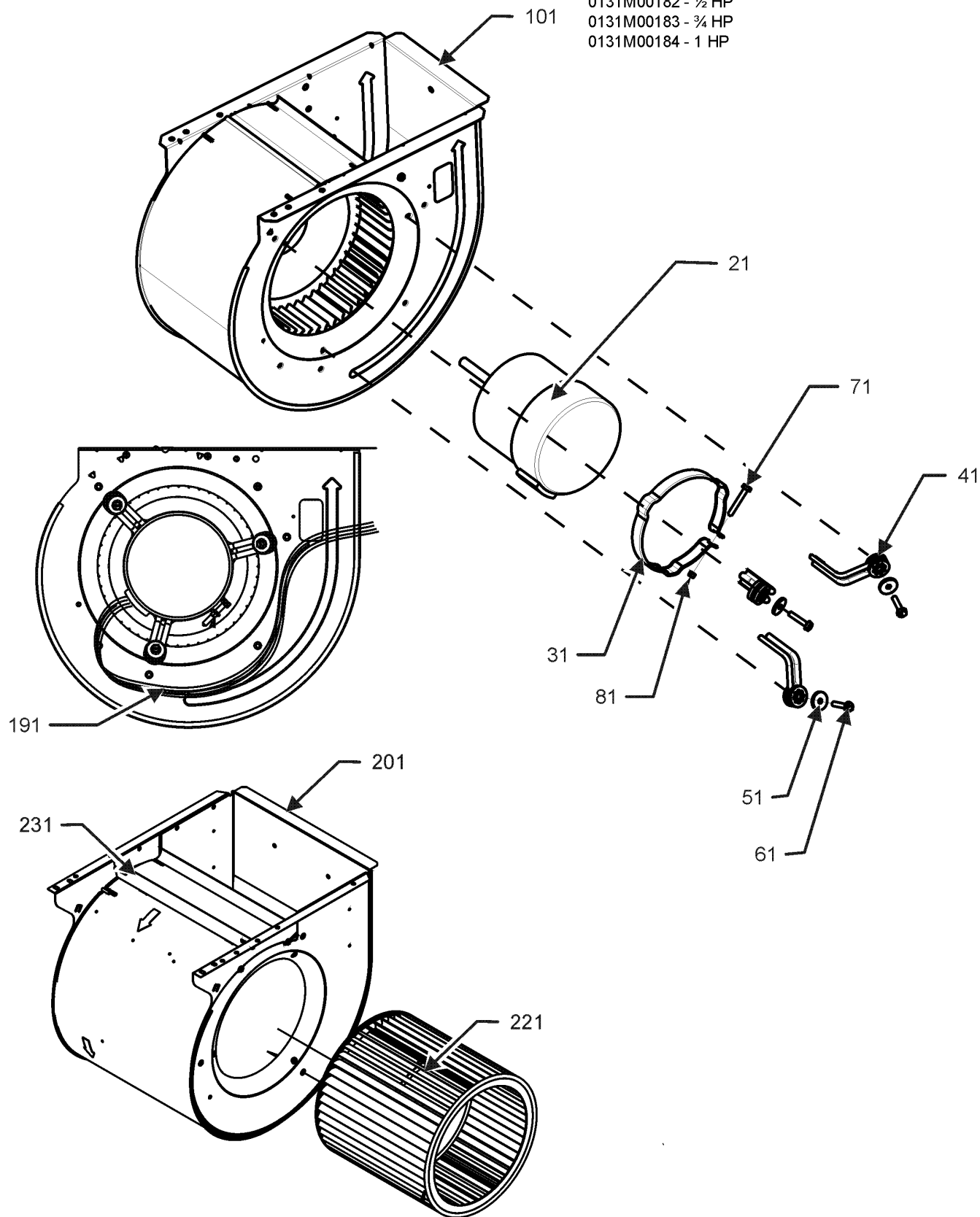
101	0163M00175	CAP WITH O-RING
111	B1787000	VALVE CORE
121	0161A00122	DRAIN PAN MAIN, E COIL (M1)
121	0161A00123	DRAIN PAN MAIN, E COIL (M2, M3)
121	0161A00124	DRAIN PAN MAIN, E COIL (M4, M5)
171	0270A01504	TUBING ASSY, EVAP COIL (M1)
171	0270A01516	TUBING ASSY, EVAP COIL (M2)
171	0270A01517	TUBING ASSY, EVAP COIL (M3)
171	0270A01518	TUBING ASSY, EVAP COIL (M4)
171	0270A01519	TUBING ASSY, EVAP COIL (M5)
181	0161A00113	CONDENSATE, COLLECT, FRONT
191	0161A00115	CONDENSATE, COLLECT, BACK
201	0161A00112	DRAIN PAN, SIDE (M5)
201	0161A00138	DRAIN PAN, SIDE (M2, M3, M4)
201	0161A00141	DRAIN PAN, SIDE (M1)
211	0161A00117	DRAIN PAN EXT, E COIL
231	0121D00885	BRKT, 2"-C (M1, M2, M3)
231	0121D00886	BRKT, 4"-C (M4, M5)
271	3S481012-1	PRESSURE SENSOR
281	4P389796-1	THERMISTOR ASSY
301	3P381420-2	EEV COIL
311	4P399446-1	WATERPROOF CAP
321	3S500031-1	Pulse Motor Expans EEV

**Expanded Model Nomenclature**

- |                   |
|-------------------|
| M1 - DV24FECB14AA |
| M2 - DV36FECC14AA |
| M3 - DV42FECC14AA |
| M4 - DV48FECD14AA |
| M5 - DV60FECD14AA |

# BLOWER ASSEMBLY

\*If end bells are needed please order the following:  
0131M00182 - 1/2 HP  
0131M00183 - 3/4 HP  
0131M00184 - 1 HP





# BLOWER ASSEMBLY

Ref. Part No:	No:	Description:	Ref. Part No:	No:	Description:
<i>Image 1:</i>					
21	0131M00270	MOTOR, 1/2 HP, SERIAL ECM (M1)			
21	0131M00271	MOTOR, 3/4 HP, SERIAL ECM (M2, M3, M4, M5)			
31	0121M00038	MOTOR MOUNT BAND (M1)			
31	0121M00039	MOTOR MOUNT BAND (HEAVY DUTY) (M2, M3, M4, M5)			
41	B1376861	MOTOR MOUNT ARM (AVL.SPD. 1/2H (M1)			
41	B1376863	MOUNT ARM, MOTOR (HEAVY DUTY) (M2, M3, M4, M5)			
51	B1392918	WASHER, FLAT 1/4 ID X 1 OD (QTY 3)			
61	M0250565	TC SCREW 1.25" (QTY 3)			
71	0163M00320	HEX HED ALL THREAD TAP BOLT			
81	B1393800	LOCKNUT, NYLON, INSERT 1/4,20			
101	0271A00206	BLOWER SHELL ASSY (M4, M5)			
101	0271A00299	BLOWER SHELL ASSY 9X6,MORRISON (M1)			
191	0259M00008	WIRE HARNESS			
201	0271A00016	BLOWER SHELL ASSY (M2, M3)			
221	764741	BLOWER BLOCK-OFF 10 X 10 (M2, M3)			
231	D6723306	BLOWER WHEEL (M2, M3)			
NS	B1393530	SCREW HWH,10 X 1/2, A, YZD, SLOT, SR			

## Expanded Model Nomenclature

M1 - DV24FECC14AA
M2 - DV36FECC14AA
M3 - DV42FECC14AA
M4 - DV48FECC14AA
M5 - DV60FECC14AA