



*MULTI-POSITION, MULTI-SPEED,  
ECM-BASED AIR HANDLER  
WITH INTERNAL TXV  
1½ TO 5 TONS*

■ **Contents**

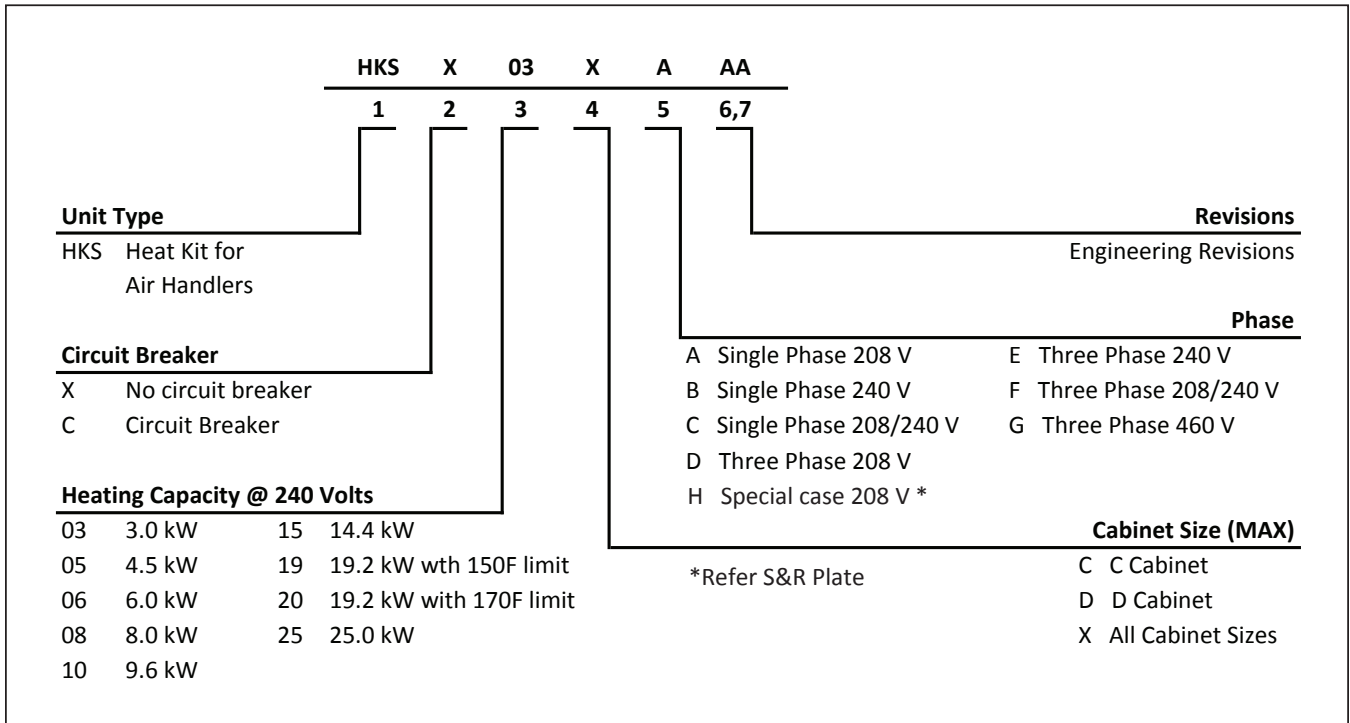
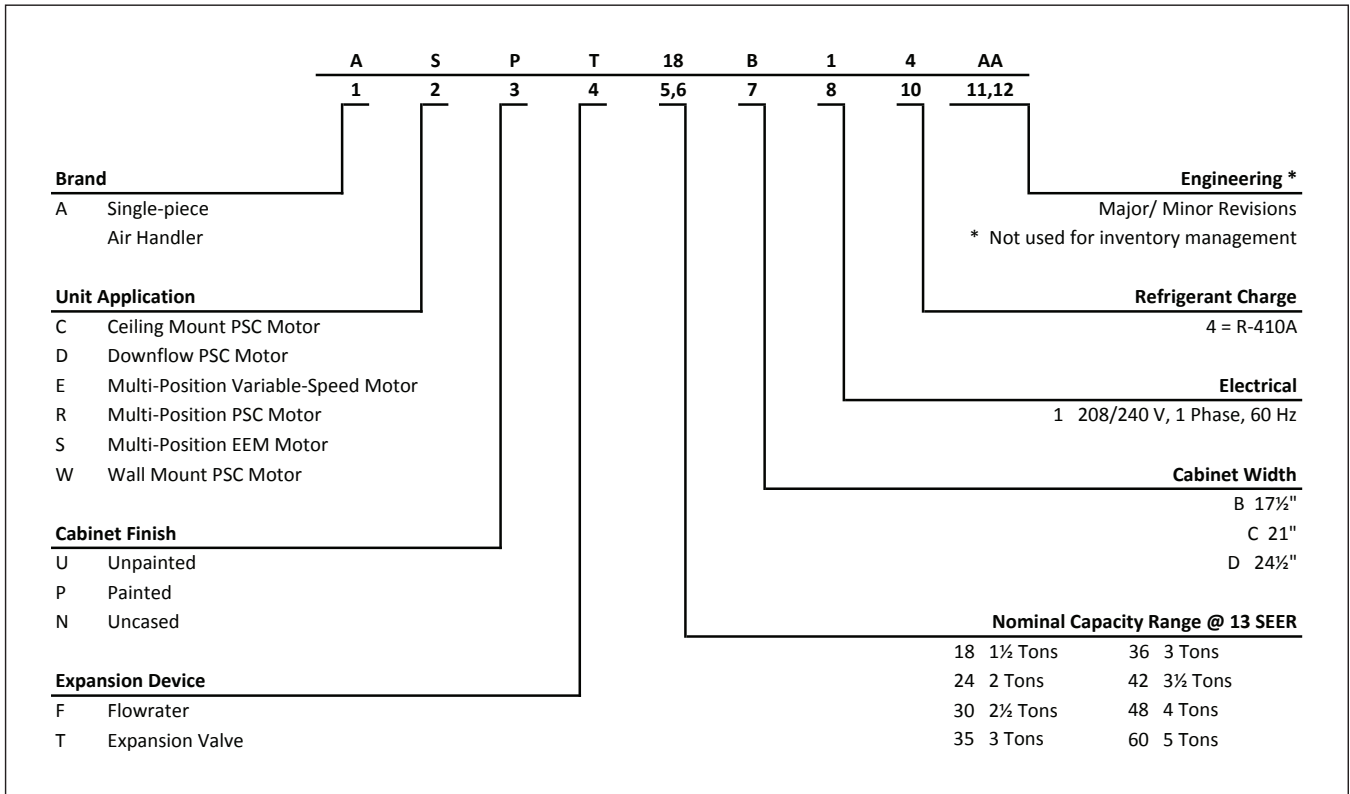
Air Handler Nomenclature.....	2
Heater Kit Nomenclature .....	2
Product Specifications .....	3
Dimensions .....	4
Airflow Data.....	5
Heat Kit Data.....	7
Wiring Diagram.....	12
Accessories .....	15

■ **Product Features**

- Internal factory-installed thermal expansion valves for cooling and heat pump applications
- Direct drive, multi-speed ECM blower motor
- All-aluminum evaporator coil
- Coil mounting track for quick repositioning
- Optimized for use with R-410A refrigerant
- Cabinet air leakage less than 2.0% at 1.0 inch H<sub>2</sub>O when tested in accordance with ASHRAE standard 193
- Cabinet air leakage less than 1.4% at 0.5 inch H<sub>2</sub>O when tested in accordance with ASHRAE standard 193
- 3 kW – 25 kW electric heater kits
- AHRI certified; ETL listed
- Rigid SmartFrame™ cabinet
- Horizontal or vertical configuration capabilities
- 21" depth for easier attic access
- DecaBDE-free thermoplastic drain pan with secondary drain connections
- Screw-less sides and back helps to reduce condensation when installed in humid locations
- Foil-faced insulation covers the internal casing to reduce cabinet condensation
- Galvanized, leather grain-embossed finish
- Glue-less cabinet insulation retention
- Tool-less filter access



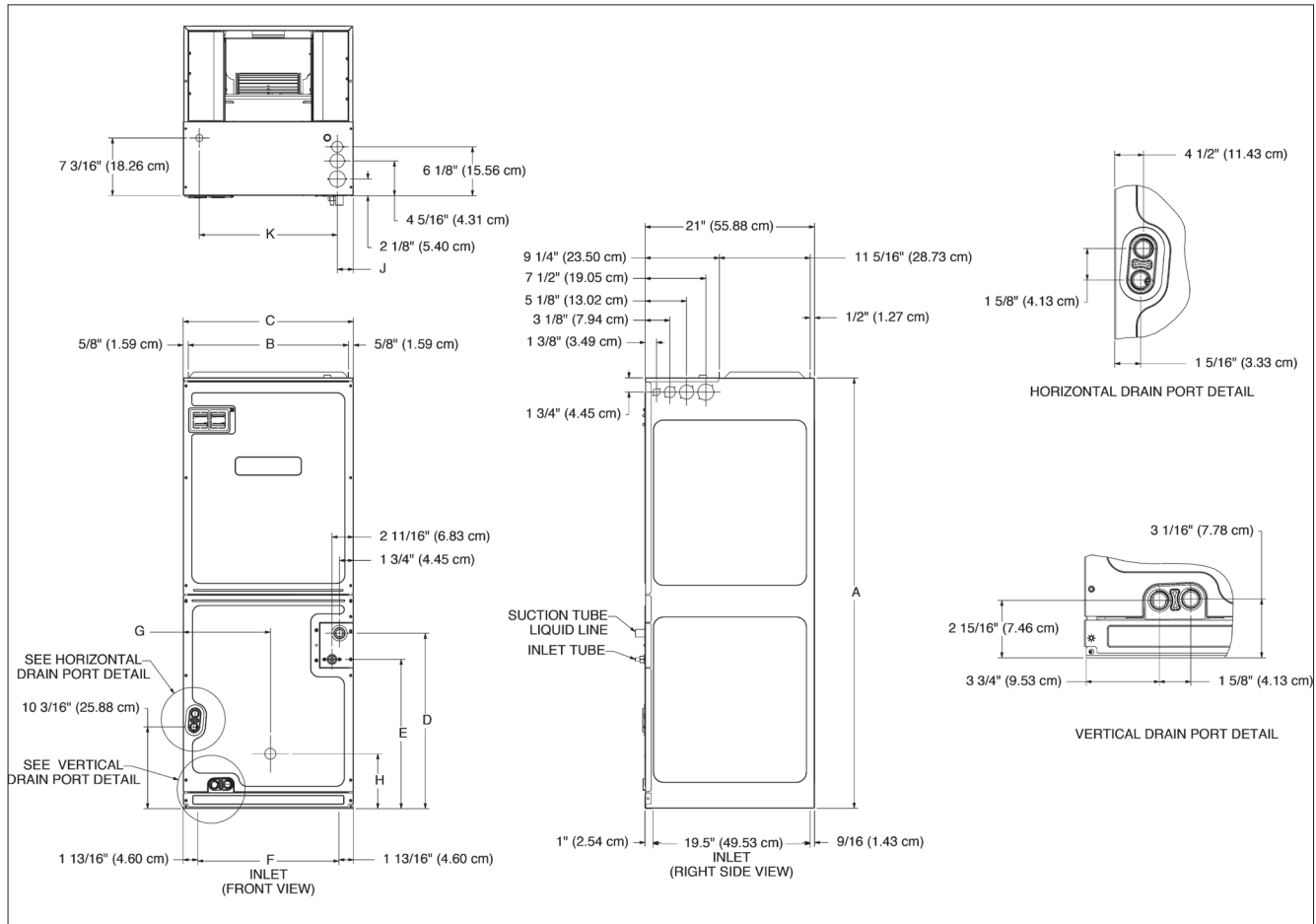
\* Complete warranty details available from your local dealer or at [www.daikincomfort.com](http://www.daikincomfort.com). To receive the 12-Year Parts Limited Warranty, online registration must be completed within 60 days of installation. Additional requirements for annual maintenance are required for the Unit Replacement Limited Warranty. Online registration and some of the additional requirements are not required in California or Quebec



	ASPT 25B14A*	ASPT 29B14A*	ASPT 33C14A*	ASPT 35B14A*	ASPT 37B14A*	ASPT 37C14A*	ASPT 39C14A*	ASPT 47C14A*	ASPT 47D14A*	ASPT 49C14A*	ASPT 49D14A*	ASPT 59C14A*	ASPT 61D14A*
<b>NOMINAL RATINGS</b>													
Cooling (Btu/h)	24,000	24,000	24,000	28,000	30,000	36,000	36,000	42,000	42,000	48,000	48,000	60,000	60,000
<b>BLOWER</b>													
Diameter	9½"	9½"	10⅝"	9½"	9½"	10⅝"	10⅝"	10⅝"	10⅝"	10⅝"	11 <sup>15</sup> / <sub>16</sub> "	10⅝"	11 <sup>15</sup> / <sub>16</sub> "
Width	6"	6"	8"	6"	6"	8"	8"	10⅝"	10⅝"	8"	10⅝"	10⅝"	10⅝"
<b>COIL CONNECTIONS</b>													
Liquid	⅜"	⅜"	⅜"	⅜"	⅜"	⅜"	⅜"	⅜"	⅜"	⅜"	⅜"	⅜"	⅜"
Suction	¾"	⅞"	⅞"	¾"	⅞"	⅞"	⅞"	⅞"	⅞"	⅞"	⅞"	⅞"	⅞"
Coil Drain Connect (FPT)	¾"	¾"	¾"	¾"	¾"	¾"	¾"	¾"	¾"	¾"	¾"	¾"	¾"
<b>ELECTRICAL DATA</b>													
Voltage	208/230	208/230	208/230	208/230	208/230	208/230	208/230	208/230	208/230	208/230	208/230	208/230	208/230
Minimum Circuit Ampacity	5.8 / 5.8	5.8 / 5.8	4.9 / 4.9	5.6 / 5.6	5.6 / 5.6	5.6 / 5.6	4.9 / 4.9	4.9 / 4.9	5.6 / 5.6	7.1 / 7.1	8.6 / 8.6	7.9 / 7.9	8.6 / 8.6
Max. Overcurrent Device (Amps)	15 / 15	15 / 15	15 / 15	15/15	15 / 15	15 / 15	15 / 15	15 / 15	15 / 15	15 / 15	15 / 15	15/15	15 / 15
Minimum VAC	197	197	197	197	197	197	197	197	197	197	197	197	197
Maximum VAC	253	253	253	253	253	253	253	253	253	253	253	253	253
<b>Blower Motor</b>													
Full Load Amps (FLA)	4.6	4.6	3.9	4.5	4.5	4.5	3.9	3.9	4.5	5.7	6.9	6.3	6.9
Horsepower (HP)	¾	¾	¾	¾	¾	¾	¾	¾	¾	¾	1	1	1
<b>SHIP WEIGHT (LBS.)</b>	116	129	118	129	129	144	118	144	155	125	167	144	167

\*Airflow rate @.3 static

Note: Assumes dry coil; SCFM correction for wet coil = 4% (208V / 240V)



MODEL	A"	B"	C"	D"	E"	F"	G"	H"
ASPT25B14*	45	16%	17½	15¼	12	14	9	12¾
ASPT29B14*	53½	16%	17½	23%	20½	14	9	7%
ASPT33C14*	49	19%	21	17 <sup>9</sup> / <sub>16</sub>	14%	17½	10 <sup>9</sup> / <sub>16</sub>	12½
ASPT35B14*	45	16%	17½	15¼	12	14	9	12¾
ASPT37B14*	53½	16%	17½	23%	20½	14	9	7%
ASPT37C14*	53½	19%	21	21 <sup>13</sup> / <sub>16</sub>	18½	17½	10%	6%
ASPT39C14*	49	19%	21	17 <sup>9</sup> / <sub>16</sub>	14%	17½	10 <sup>9</sup> / <sub>16</sub>	12½
ASPT47C14*	53½	19%	21	21 <sup>13</sup> / <sub>16</sub>	18%	17½	10%	6%
ASPT47D14*	53½	23%	24½	26%	22%	21	12%	6%
ASPT49C14*	49	19%	21	17 <sup>9</sup> / <sub>16</sub>	14%	17½	10 <sup>9</sup> / <sub>16</sub>	12½
ASPT49D14*	58	23%	24½	26%	22%	21 <sub>6</sub>	12%	13¾
ASPT59C14*	53½	19%	21	21 <sup>13</sup> / <sub>16</sub>	18%	17½	10%	6%
ASPT61D14	58	23%	24½	26%	22%	21	12%	13¾

MODEL	SPEED TAP	STATIC PRESSURE (IN W.C)									
		0.1	0.2	0.3	0.4	0.5	0.6	0.7	0.8	0.9	1.0
ASPT 25B14AB	1	640	585	580	545	510	490	410	340	280	
	2	800	765	725	700	670	645	595	565	490	
	3	840	805	800	760	740	700	670	625	580	
	4	985	950	920	885	850	815	800	760	725	
	5	1,475	1,440	1,400	1,375	1,335	1,305	1,270	1,240	1,150	
ASPT 29B14AB	1	595	590	565	530	505	455	380	305	260	
	2	790	775	745	705	665	625	585	515	445	
	3	865	820	790	770	735	695	645	595	530	
	4	1,015	980	955	925	880	840	795	770	720	
	5	1,505	1,465	1,430	1,410	1,385	1,350	1,315	1,285	1,220	
ASPT 33C14BA	T1	865	685	615	540	480	410	335	270	215	
	T2	935	875	820	785	720	655	600	550	490	
	T3	1,110	1,050	1,000	955	905	855	795	760	710	
	T4	1,355	1,310	1,260	1,220	1,180	1,135	1,095	1,055	1,005	
	T5	1,560	1,515	1,475	1,430	1,395	1,370	1,330	1,295	1,260	
ASPT 35B14AB	1	875	845	845	825	795	780	730	680	630	
	2	985	945	925	915	905	880	845	795	760	
	3	1070	1025	990	985	980	960	940	905	860	
	4	1245	1205	1170	1135	1115	1115	1100	1090	1035	
	5	1310	1275	1230	1190	1155	1135	1085	1080	1040	
ASPT 37B14AB	1	1,025	985	945	910	875	830	795	735	690	
	2	1,150	1,105	1,065	1,025	995	950	915	870	825	
	3	1,240	1,200	1,160	1,120	1,085	1,050	1,010	970	925	
	4	1,425	1,400	1,355	1,320	1,290	1,250	1,215	1,180	1,145	
	5	1,490	1,455	1,415	1,390	1,355	1,320	1,285	1,250	1,205	
ASPT 37C14AC	1	980	935	895	860	825	800	755	710	665	
	2	1,125	1,075	1,045	1,000	965	930	880	845	820	
	3	1,235	1,190	1,155	1,120	1,085	1,045	1,005	965	920	
	4	1,485	1,450	1,425	1,390	1,355	1,315	1,275	1,230	1,190	
	5	1,565	1,535	1,510	1,480	1,240	1,390	1,365	1,320	1,280	
ASPT 39C14BA	T1	865	685	615	540	480	410	335	270	215	
	T2	935	875	820	785	720	655	600	550	490	
	T3	1,110	1,050	1,000	955	905	855	795	760	710	
	T4	1,355	1,310	1,260	1,220	1,180	1,135	1,095	1,055	1,005	
	T5	1,560	1,515	1,475	1,430	1,395	1,370	1,330	1,295	1,260	
ASPT 47C14BA	1	955	895	855	840	780	735	675	615	560	
	2	1,100	1,050	1,005	965	925	870	815	770	705	
	3	1,205	1,160	1,120	1,075	1,035	990	940	885	830	
	4	1,445	1,410	1,365	1,320	1,275	1,235	1,190	1,140	1,095	
	5	1,525	1,480	1,435	1,400	1,360	1,320	1,275	1,230	1,180	
ASPT 47D14AC	1	1,055	1,015	950	895	830	785	730	680	620	
	2	1,210	1,165	1,110	1,070	1,015	960	900	840	785	
	3	1,335	1,290	1,250	1,205	1,145	1,100	1,050	980	910	
	4	1,625	1,580	1,530	1,495	1,455	1,405	1,350	1,295	1,230	
	5	1,720	1,670	1,625	1,580	1,540	1,490	1,435	1,390	1,325	
ASPT 49C14AC	T1	1,325	1,280	1,240	1,200	1,160	1,115	1,065	1,025	985	
	T2	1,465	1,420	1,380	1,355	1,315	1,280	1,240	1,195	1,155	
	T3	1,505	1,465	1,425	1,390	1,355	1,330	1,290	1,245	1,205	
	T4	1,600	1,565	1,530	1,490	1,460	1,425	1,385	1,365	1,290	
	T5	1,690	1,660	1,625	1,585	1,555	1,520	1,485	1,400	1,250	
ASPT 49D14AC	1	1,485	1,435	1,380	1,320	1,265	1,200	1,230	1,015	930	
	2	1,570	1,525	1,480	1,430	1,370	1,315	1,235	1,155	1,035	
	3	1,680	1,600	1,570	1,555	1,475	1,430	1,360	1,280	1,185	
	4	1,800	1,765	1,715	1,670	1,625	1,590	1,510	1,465	1,390	
	5	2,215	2,160	2,120	2,085	2,040	2,000	1,970	1,930	1,865	

MODEL	SPEED TAP	STATIC PRESSURE (IN W.C)									
		0.1	0.2	0.3	0.4	0.5	0.6	0.7	0.8	0.9	1.0
ASPT 59C14AC	1	1,370	1,330	1,295	1,255	1,215	1,180	1,140	1,100	1,060	
	2	1,535	1,500	1,465	1,430	1,405	1,370	1,335	1,300	1,210	
	3	1,680	1,645	1,615	1,575	1,545	1,510	1,440	1,330	1,205	
	4	1,905	1,855	1,780	1,690	1,605	1,515	1,425	1,330	1,205	
	5	1,940	1,855	1,775	1,700	1,605	1,505	1,420	1,320	1,205	
ASPT 61D14AC	1	1,545	1,495	1,440	1,390	1,335	1,260	1,180	1,080	1,030	
	2	1,745	1,695	1,625	1,575	1,525	1,475	1,400	1,360	1,275	
	3	1,905	1,855	1,815	1,770	1,725	1,670	1,635	1,575	1,500	
	4	2,155	2,105	2,090	2,045	2,000	1,970	1,935	1,890	1,830	
	5	2,340	2,310	2,265	2,220	2,185	2,165	2,120	2,080	2,030	

**NOTES**

- The chart is for information only. For satisfactory operation, external static pressure must not exceed value shown on rating plate.
- Use the CFM adjustment factors of .98 for horizontal left, .95 for horizontal right & .96 for downflow orientations.
- Assumes dry coil with filter in place.
- All models are shipped from the factory with the speed tap set on T4.
- Assumes dry coil; SCFM correction for wet coil = 4%
- All ASPT models are shipped from the factory with the speed tap set on T4.

MODEL		CIRCUIT 1			CIRCUIT 2			SINGLE-POINT KIT	
		HEATER AMPS	MCA <sup>1</sup>	MOP <sup>2</sup>	HEATER AMPS	MCA <sup>1</sup>	MOP <sup>2</sup>	MCA <sup>1</sup>	MOP <sup>2</sup>
<b>ASPT25B14AB</b>		0/0	5.8/5.8	15/15	---	---	---	---	---
HKX03XC - 208 V	No Breaker	10.8	19	20	---	---	---	---	---
HKX05XC - 208 V		17.3	27	30	---	---	---	---	---
HKX06XC - 208 V		21.6	33	35	---	---	---	---	---
HKX08XC - 208 V		28.8	42	45	---	---	---	---	---
HKX10XC - 208 V		34.6	49	50	---	---	---	---	---
HKSC05XC - 208 V	Breaker	17.3	27	30	---	---	---	---	---
HKSC08XC - 208 V		28.8	42	45	---	---	---	---	---
HKSC10XC - 208 V		34.6	49	50	---	---	---	---	---
HKX03XC - 240 V	No Breaker	12.5	21	25	---	---	---	---	---
HKX05XC - 240 V		20.0	31	35	---	---	---	---	---
HKX06XC - 240 V		25	37	40	---	---	---	---	---
HKX08XC - 240 V		33.3	47	50	---	---	---	---	---
HKX10XC - 240 V		40.0	56	60	---	---	---	---	---
HKSC05XC - 240 V	Breaker	20.0	31	35	---	---	---	---	---
HKSC08XC - 240 V		33.3	47	50	---	---	---	---	---
HKSC10XC - 240 V		40.0	56	60	---	---	---	---	---
<b>ASPT29B14AB</b>		0/0	5.8/5.8	15/15	---	---	---	---	---
HKX03XC - 208 V	No Breaker	10.8	19	20	---	---	---	---	---
HKX05XC - 208 V		17.3	27	30	---	---	---	---	---
HKX06XC - 208 V		21.7	33	35	---	---	---	---	---
HKX08XC - 208 V		28.9	42	45	---	---	---	---	---
HKX10XC - 208 V		34.7	49	50	---	---	---	---	---
HKSC05XC - 208 V	Breaker	17.3	27	30	---	---	---	---	---
HKSC08XC - 208 V		28.9	42	45	---	---	---	---	---
HKSC10XC - 208 V		34.7	49	50	---	---	---	---	---
HKSC15XA - 208 V		34.7	49	50	17.3	22	25	71	80
HKX03XC - 240 V	No Breaker	12.5	21	25	---	---	---	---	---
HKX05XC - 240 V		20	31	35	---	---	---	---	---
HKX06XC - 240 V		25	37	40	---	---	---	---	---
HKX08XC - 240 V		33.3	47	50	---	---	---	---	---
HKX10XC - 240 V		40	56	60	---	---	---	---	---
HKSC05XC - 240 V	Breaker	20	31	35	---	---	---	---	---
HKSC08XC - 240 V		33.3	47	50	---	---	---	---	---
HKSC10XC - 240 V		40	56	60	---	---	---	---	---
HKSC15XB - 240 V		40	56	60	20	25	25	81	90
<b>ASPT33C14BA</b>		0/0	4.9/4.9	15/15	---	---	---	---	---
HKX03XC - 208 V	No Breaker	10.8	18.4	20	---	---	---	---	---
HKX05XC - 208 V		17.3	27	30	---	---	---	---	---
HKX06XC - 208 V		21.7	32	35	---	---	---	---	---
HKX08XC - 208 V		28.9	41	45	---	---	---	---	---
HKX10XC - 208 V		34.7	48	50	---	---	---	---	---
HKSC05XC - 208 V	Breaker	17.3	27	30	---	---	---	---	---
HKSC08XC - 208 V		28.9	41	45	---	---	---	---	---
HKSC10XC - 208 V		34.7	48	50	---	---	---	---	---
HKSC15XB - 208 V		34.7	48	50	17.3	21.7	25	69.9	70
HKX03XC - 240 V	No Breaker	12.5	21	25	---	---	---	---	---
HKX05XC - 240 V		20	29.9	30	---	---	---	---	---
HKX06XC - 240 V		25	36.1	40	---	---	---	---	---
HKX08XC - 240 V		33.3	46.5	50	---	---	---	---	---
HKX10XC - 240 V		40	54.9	60	---	---	---	---	---
HKSC05XC - 240 V	Breaker	20	29.9	30	---	---	---	---	---
HKSC08XC - 240 V		33.3	46.5	50	---	---	---	---	---
HKSC10XC - 240 V		40	54.9	60	---	---	---	---	---
HKSC15XB - 240 V		40	54.9	60	20	25	25	79.9	80
<b>ASPT35B14AB</b>		0/0	5.6/5.6	15/15	---	---	---	---	---
HKX03XC - 208 V	No Breaker	10.8	19	20	---	---	---	---	---
HKX05XC - 208 V		17.3	27	30	---	---	---	---	---
HKX06XC - 208 V		21.7	33	35	---	---	---	---	---
HKX08XC - 208 V		28.9	42	45	---	---	---	---	---
HKX10XC - 208 V		34.7	49	50	---	---	---	---	---
HKSC05XC - 208 V	Breaker	17.3	27	30	---	---	---	---	---
HKSC08XC - 208 V		28.9	42	45	---	---	---	---	---

See Notes on Page 11.

HEAT KIT DATA (CONT.)

MODEL		CIRCUIT 1			CIRCUIT 2			SINGLE-POINT KIT	
		HEATER AMPS	MCA <sup>1</sup>	MOP <sup>2</sup>	HEATER AMPS	MCA <sup>1</sup>	MOP <sup>2</sup>	MCA <sup>1</sup>	MOP <sup>2</sup>
HKSC10XC - 208 V	Breaker	34.7	49	50	---	---	---	---	---
HKSC15XA - 208 V		34.7	49	50	17.3	22	25	71	80
HKSX03XC - 240 V	No Breaker	12.5	21	25	---	---	---	---	---
HKSX05XC - 240 V		20	31	35	---	---	---	---	---
HKSX06XC - 240 V		25	37	40	---	---	---	---	---
HKSX08XC - 240 V		33.3	47	50	---	---	---	---	---
HKSX10XC - 240 V		40	56	60	---	---	---	---	---
HKSC05XC - 240 V	Breaker	20	31	35	---	---	---	---	---
HKSC08XC - 240 V		33.3	47	50	---	---	---	---	---
HKSC10XC - 240 V		40	56	60	---	---	---	---	---
HKSC15XB - 240 V		40	56	60	20	25	25	81	90
<b>ASPT37B14AB</b>		0/0	5.6/5.6	15/15	---	---	---	---	---
HKSX03XC - 208 V	No Breaker	10.8	19	20	---	---	---	---	---
HKSX05XC - 208 V		17.3	27	30	---	---	---	---	---
HKSX06XC - 208 V		21.7	33	35	---	---	---	---	---
HKSX08XC - 208 V		28.9	42	45	---	---	---	---	---
HKSX10XC - 208 V		34.7	49	50	---	---	---	---	---
HKSC05XC - 208 V	Breaker	17.3	27	30	---	---	---	---	---
HKSC08XC - 208 V		28.9	42	45	---	---	---	---	---
HKSC10XC - 208 V		34.7	49	50	---	---	---	---	---
HKSC15XA - 208 V		34.7	49	50	17.3	22	25	71	80
HKSX03XC - 240 V	No Breaker	12.5	21	25	---	---	---	---	---
HKSX05XC - 240 V		20	31	35	---	---	---	---	---
HKSX06XC - 240 V		25	37	40	---	---	---	---	---
HKSX08XC - 240 V		33.3	47	50	---	---	---	---	---
HKSX10XC - 240 V		40	56	60	---	---	---	---	---
HKSC05XC - 240 V	Breaker	20	31	35	---	---	---	---	---
HKSC08XC - 240 V		33.3	47	50	---	---	---	---	---
HKSC10XC - 240 V		40	56	60	---	---	---	---	---
HKSC15XB - 240 V		40	56	60	20	25	25	81	90
<b>ASPT37C14AC</b>		0/0	5.6/5.6	15/15	---	---	---	---	---
HKSX03XC - 208 V	No Breaker	10.8	19	20	---	---	---	---	---
HKSX05XC - 208 V		17.3	27	30	---	---	---	---	---
HKSX06XC - 208 V		21.7	33	35	---	---	---	---	---
HKSX08XC - 208 V		28.9	42	45	---	---	---	---	---
HKSX10XC - 208 V		34.7	49	50	---	---	---	---	---
HKSC05XC - 208 V	Breaker	17.3	27	30	---	---	---	---	---
HKSC08XC - 208 V		28.9	42	45	---	---	---	---	---
HKSC10XC - 208 V		34.7	49	50	---	---	---	---	---
HKSC15XA - 208 V		34.7	49	50	17.3	22	25	71	80
HKSC19CA - 208 V		34.7	49	50	34.7	43	45	92	100
HKSC15XF - 208 V ^		0	5.6	15	30	38	40	---	---
HKSX03XC - 240 V	No Breaker	12.5	21	25	---	---	---	---	---
HKSX05XC - 240 V		20	31	35	---	---	---	---	---
HKSX06XC - 240 V		25	37	40	---	---	---	---	---
HKSX08XC - 240 V		33.3	47	50	---	---	---	---	---
HKSX10XC - 240 V		40	56	60	---	---	---	---	---
HKSC05XC - 240 V	Breaker	20	31	35	---	---	---	---	---
HKSC08XC - 240 V		33.3	47	50	---	---	---	---	---
HKSC10XC - 240 V		40	56	60	---	---	---	---	---
HKSC15XB - 240 V		40	56	60	20	25	25	81	90
HKSC19CB - 240 V		40	56	60	40	50	50	106	110
HKSC15XF - 240 V ^		0	5.6	15	34.6	43	45	---	---
<b>ASPT39C14BA</b>		0.0/0.0	4.9/4.9	15/15	---	---	---	---	---
HKSX03XC - 208 V	No Breaker	10.8	18.4	20	---	---	---	---	---
HKSX05XC - 208 V		17.3	27	30	---	---	---	---	---
HKSX06XC - 208 V		21.7	32	35	---	---	---	---	---
HKSX08XC - 208 V		28.9	41	45	---	---	---	---	---
HKSX10XC - 208 V		34.7	48	50	---	---	---	---	---

See Notes on Page 11.



MODEL		CIRCUIT 1			CIRCUIT 2			SINGLE-POINT KIT	
		HEATER AMPS	MCA <sup>1</sup>	MOP <sup>2</sup>	HEATER AMPS	MCA <sup>1</sup>	MOP <sup>2</sup>	MCA <sup>1</sup>	MOP <sup>2</sup>
HKSC05XC - 208 V	Breaker	17.3	27	30	---	---	---	---	---
HKSC08XC - 208 V		28.9	41	45	---	---	---	---	---
HKSC10XC - 208 V		34.7	48	50	---	---	---	---	---
HKSC15XB - 208 V		34.7	48	50	17.3	21.7	25	69.9	70
HKSC19CH - 208 V		34.7	48	50	34.7	43.3	45	91.5	100
HKSC15XF - 208 V ^		0	4.9	15	30	37.5	40	---	---
HKXS03XC - 240 V	No Breaker	12.5	21	25	---	---	---	---	---
HKXS05XC - 240 V		20	29.9	30	---	---	---	---	---
HKXS06XC - 240 V		25	36.1	40	---	---	---	---	---
HKXS08XC - 240 V		33.3	46.5	50	---	---	---	---	---
HKXS10XC - 240 V		40	54.9	60	---	---	---	---	---
HKSC05XC - 240 V	Breaker	20	29.9	30	---	---	---	---	---
HKSC08XC - 240 V		33.3	46.5	50	---	---	---	---	---
HKSC10XC - 240 V		40	54.9	60	---	---	---	---	---
HKSC15XB - 240 V		40	54.9	60	20	25	25	79.9	80
HKSC19CB - 240 V		40	54.9	60	40	50	50	105	110
HKSC15XF - 240 V ^		0	4.9	15	34.6	43	45	---	---
<b>ASPT47C14BA</b>		0/0	4.9/4.9	15/15	---	---	---	---	---
HKXS03XC - 208 V	No Breaker	10.8	18.4	20	---	---	---	---	---
HKXS05XC - 208 V		17.3	27	30	---	---	---	---	---
HKXS06XC - 208 V		21.7	32	35	---	---	---	---	---
HKXS08XC - 208 V		28.9	41	45	---	---	---	---	---
HKXS10XC - 208 V		34.7	48	50	---	---	---	---	---
HKSC05XC - 208 V	Breaker	17.3	27	30	---	---	---	---	---
HKSC08XC - 208 V		28.9	41	45	---	---	---	---	---
HKSC10XC - 208 V		34.7	48	50	---	---	---	---	---
HKSC15XA - 208 V		34.7	48	50	17.3	22	25	69.9	70
HKSC19CA - 208 V		34.7	48	50	34.7	43	45	91.5	100
HKSC15XF - 208 V ^		0	4.9	15	30	38	40	---	---
HKXS03XC - 240 V	No Breaker	12.5	21	25	---	---	---	---	---
HKXS05XC - 240 V		20	29.9	30	---	---	---	---	---
HKXS06XC - 240 V		25	36.1	40	---	---	---	---	---
HKXS08XC - 240 V		33.3	46.5	50	---	---	---	---	---
HKXS10XC - 240 V		40	54.9	60	---	---	---	---	---
HKSC05XC - 240 V	Breaker	20	29.9	30	---	---	---	---	---
HKSC08XC - 240 V		33.3	46.5	50	---	---	---	---	---
HKSC10XC - 240 V		40	54.9	60	---	---	---	---	---
HKSC15XB - 240 V		40	54.9	60	20	25	25	79.9	80
HKSC19CB - 240 V		40	54.9	60	40	50	50	105	110
HKSC15XF - 240 V ^		0	4.9	15	34.6	43	45	---	---
<b>ASPT47D14AC</b>		0/0	5.6/5.6	15/15	---	---	---	---	---
HKXS03XC - 208 V	No Breaker	10.8	19	20	---	---	---	---	---
HKXS05XC - 208 V		17.3	27	30	---	---	---	---	---
HKXS06XC - 208 V		21.7	33	35	---	---	---	---	---
HKXS08XC - 208 V		28.9	42	45	---	---	---	---	---
HKXS10XC - 208 V		34.7	49	50	---	---	---	---	---
HKSC05XC - 208 V	Breaker	17.3	27	30	---	---	---	---	---
HKSC08XC - 208 V		28.9	42	45	---	---	---	---	---
HKSC10XC - 208 V		34.7	49	50	---	---	---	---	---
HKSC15XA - 208 V		34.7	49	50	17.3	22	25	71	80
HKSC20DA - 208 V		34.7	49	50	34.7	43	45	92	100
HKSC15XF - 208 V ^		0	5.6	15	30	38	40	---	---
HKSC20XF - 208 V ^	0	5.6	15	37.5	47	50	---	---	
HKXS03XC - 240 V	No Breaker	12.5	21	25	---	---	---	---	---
HKXS05XC - 240 V		20	31	35	---	---	---	---	---
HKXS06XC - 240 V		25	37	40	---	---	---	---	---
HKXS08XC - 240 V		33.3	47	50	---	---	---	---	---
HKXS10XC - 240 V		40	56	60	---	---	---	---	---
HKSC05XC - 240 V	Breaker	20	31	35	---	---	---	---	---

See Notes on Page 11.

HEAT KIT DATA (CONT.)

MODEL		CIRCUIT 1			CIRCUIT 2			SINGLE-POINT KIT	
		HEATER AMPS	MCA <sup>1</sup>	MOP <sup>2</sup>	HEATER AMPS	MCA <sup>1</sup>	MOP <sup>2</sup>	MCA <sup>1</sup>	MOP <sup>2</sup>
HKSC08XC - 240 V	Breaker	33.3	47	50	---	---	---	---	---
HKSC10XC - 240 V		40	56	60	---	---	---	---	---
HKSC15XB - 240 V		40	56	60	20	25	25	81	90
HKSC20DB - 240 V		40	56	60	40	50	50	106	110
HKSC15XF - 240 V ^		0	5.6	15	34.6	43	45	---	---
HKSC20XF - 240 V ^		0	5.6	15	43.3	54	60	---	---
<b>ASPT49C14AC</b>		0.0/0.0	7.1/7.1	15/15	---	---	---	---	---
HKSX03XC - 208 V	No Breaker	---	---	---	---	---	---	---	---
HKSX05XC - 208 V		17.3	28.8	30	---	---	---	---	---
HKSX06XC - 208 V		21.7	34.2	35	---	---	---	---	---
HKSX08XC - 208 V		28.9	43.2	45	---	---	---	---	---
HKSX10XC - 208 V		34.7	50.5	60	---	---	---	---	---
HKSC05XC - 208 V	Breaker	17.3	28.8	30	---	---	---	---	---
HKSC08XC - 208 V		28.9	43.2	45	---	---	---	---	---
HKSC10XC - 208 V		34.7	50.5	60	---	---	---	---	---
HKSC15XA - 208 V		34.7	50.5	60	17.3	21.7	25	72.1	80
HKSC19CA - 208 V		34.7	50.5	60	34.7	43.3	45	93.8	100
HKSC15XF - 208 V ^		0	7.1	15	30	37.5	40	---	---
HKSX03XC - 240 V	No Breaker	---	---	---	---	---	---	---	---
HKSX05XC - 240 V		20	32	35	---	---	---	---	---
HKSX06XC - 240 V		25	38	40	---	---	---	---	---
HKSX08XC - 240 V		33.3	49	50	---	---	---	---	---
HKSX10XC - 240 V		40	57	60	---	---	---	---	---
HKSC05XC - 240 V	Breaker	20	32	35	---	---	---	---	---
HKSC08XC - 240 V		33.3	49	50	---	---	---	---	---
HKSC10XC - 240 V		40	57	60	---	---	---	---	---
HKSC15XB - 240 V		40	57	60	20	25	25	82	90
HKSC19CB - 240 V		40	57	60	40	50	50	107	110
HKSC15XF - 240 V ^		0	7.1	15	34.6	43	45	---	---
<b>ASPT49D14AC</b>		0/0	8.6/8.6	15/15	---	---	---	---	---
HKSX03XC - 208 V	No Breaker	10.8	22	25	---	---	---	---	---
HKSX05XC - 208 V		17.3	30.3	35	---	---	---	---	---
HKSX06XC - 208 V		21.7	36	40	---	---	---	---	---
HKSX08XC - 208 V		28.9	45	45	---	---	---	---	---
HKSX10XC - 208 V		34.7	52	60	---	---	---	---	---
HKSC05XC - 208 V	Breaker	17.3	30.3	35	---	---	---	---	---
HKSC08XC - 208 V		28.9	45	45	---	---	---	---	---
HKSC10XC - 208 V		34.7	52	60	---	---	---	---	---
HKSC15XB - 208 V		34.7	52	60	17.3	22	25	74	80
HKSC20DH - 208 V		34.7	52	60	34.7	43	45	95	100
HKSC15XF - 208 V ^		0	8.6	15	30	38	40	---	---
HKSC20XF - 208 V ^	0	8.6	15	37.5	47	50	---	---	
HKSC25DA - 208 V	52	74	80	35	43	45	117	125	
HKSX03XC - 240 V	No Breaker	12.5	24	25	---	---	---	---	---
HKSX05XC - 240 V		20	34	35	---	---	---	---	---
HKSX06XC - 240 V		25	40	40	---	---	---	---	---
HKSX08XC - 240 V		33.3	50.3	60	---	---	---	---	---
HKSX10XC - 240 V		40	59	60	---	---	---	---	---
HKSC05XC - 240 V	Breaker	20	34	35	---	---	---	---	---
HKSC08XC - 240 V		33.3	50.3	60	---	---	---	---	---
HKSC10XC - 240 V		40	59	60	---	---	---	---	---
HKSC15XB - 240 V		40	59	60	20	25	25	84	90
HKSC20DB - 240 V		40	59	60	40	50	50	109	110
HKSC15XF - 240 V ^		0	8.6	15	34.6	43	45	---	---
HKSC20XF - 240 V ^	0	8.6	15	43.3	54	60	---	---	
HKSC25DB - 240 V	60	84	90	40	50	50	134	150	
<b>ASPT59C14AC</b>		0.0/0.0	7.9/7.9	15/15	---	---	---	---	---
HKSX03XC - 208 V	No Breaker	10.8	21	25	---	---	---	---	---
HKSX05XC - 208 V		17.3	30	30	---	---	---	---	---
HKSX06XC - 208 V		21.7	35	35	---	---	---	---	---

See Notes on Page 11.

MODEL		CIRCUIT 1			CIRCUIT 2			SINGLE-POINT KIT		
		HEATER AMPS	MCA <sup>1</sup>	MOP <sup>2</sup>	HEATER AMPS	MCA <sup>1</sup>	MOP <sup>2</sup>	MCA <sup>1</sup>	MOP <sup>2</sup>	
HKXS08XC - 208 V	No Breaker	28.9	44	45	---	---	---	---	---	
HKXS10XC - 208 V		34.7	51	60	---	---	---	---	---	
HKSC05XC - 208 V	Breaker	17.3	30	30	---	---	---	---	---	
HKSC08XC - 208 V		28.9	44	45	---	---	---	---	---	
HKSC10XC - 208 V		34.7	51	60	---	---	---	---	---	
HKSC15XB - 208 V		34.7	51	60	17.3	22	25	73	80	
HKSC19CH - 208 V		34.7	51	60	34.7	43	45	95	100	
HKSC15XF - 208 V ^		0	7.9	15	30	38	40	---	---	
HKXS03XC - 240 V	No Breaker	12.5	24	25	---	---	---	---	---	
HKXS05XC - 240 V		20	33	35	---	---	---	---	---	
HKXS06XC - 240 V		25	39	40	---	---	---	---	---	
HKXS08XC - 240 V		33.3	50	50	---	---	---	---	---	
HKXS10XC - 240 V		40	58	60	---	---	---	---	---	
HKSC05XC - 240 V	Breaker	20	33	35	---	---	---	---	---	
HKSC08XC - 240 V		33.3	50	50	---	---	---	---	---	
HKSC10XC - 240 V		40	58	60	---	---	---	---	---	
HKSC15XB - 240 V		40	58	60	20	25	25	83	90	
HKSC19CB - 240 V		40	58	60	40	50	50	108	110	
HKSC15XF - 240 V ^		0.0	7.9	15	34.6	43	45	---	---	
<b>ASPT61D14AC</b>			0/0	8.6/8.6	15/15	---	---	---	---	---
HKXS03XC - 208 V		No Breaker	10.8	22	25	---	---	---	---	---
HKXS05XC - 208 V	17.3		30.3	35	---	---	---	---	---	
HKXS06XC - 208 V	21.7		36	40	---	---	---	---	---	
HKXS08XC - 208 V	28.9		45	45	---	---	---	---	---	
HKXS10XC - 208 V	34.7		52	60	---	---	---	---	---	
HKSC05XC - 208 V	Breaker	17.3	30.3	35	---	---	---	---	---	
HKSC08XC - 208 V		28.9	45	45	---	---	---	---	---	
HKSC10XC - 208 V		34.7	52	60	---	---	---	---	---	
HKSC15XB - 208 V		34.7	52	60	17.3	22	25	74	80	
HKSC20DH - 208 V		34.7	52	60	34.7	43	45	95	100	
HKSC15XF - 208 V ^		0	8.6	15	30	38	40	---	---	
HKSC20XF - 208 V ^		0	8.6	15	37.5	47	50	---	---	
HKSC25DA - 208 V		52	74	80	35	43	45	117	125	
HKXS03XC - 240 V	No Breaker	12.5	24	25	---	---	---	---	---	
HKXS05XC - 240 V		20	34	35	---	---	---	---	---	
HKXS06XC - 240 V		25	40	40	---	---	---	---	---	
HKXS08XC - 240 V		33.3	50.3	60	---	---	---	---	---	
HKXS10XC - 240 V		40	59	60	---	---	---	---	---	
HKSC05XC - 240 V	Breaker	20	34	35	---	---	---	---	---	
HKSC08XC - 240 V		33.3	50.3	60	---	---	---	---	---	
HKSC10XC - 240 V		40	59	60	---	---	---	---	---	
HKSC15XB - 240 V		40	59	60	20	25	25	84	90	
HKSC20DB - 240 V		40	59	60	40	50	50	109	110	
HKSC15XF - 240 V ^		0	8.6	15	34.6	43	45	---	---	
HKSC20XF - 240 V ^		0	8.6	15	43.3	54	60	---	---	
HKSC25DB - 240 V		60	84	90	40	50	50	134	150	

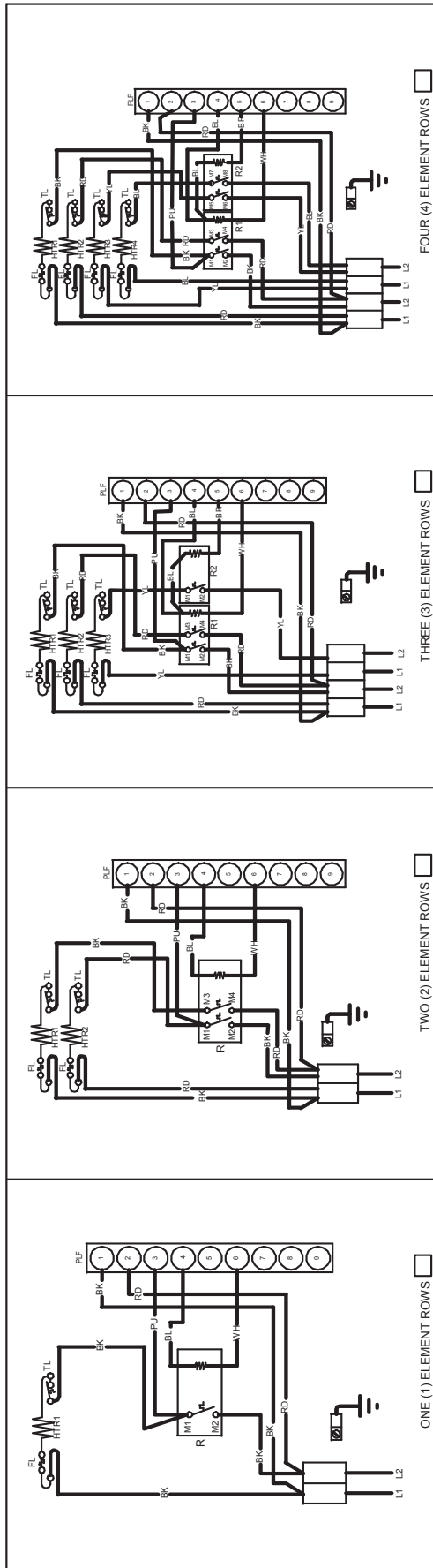
<sup>1</sup>Minimum Circuit Ampacity (Heater Amps + Motor Amps) X 1.25

<sup>2</sup>Maximum Overcurrent Protection = 2.25 X Motor Amps + Heater Amps

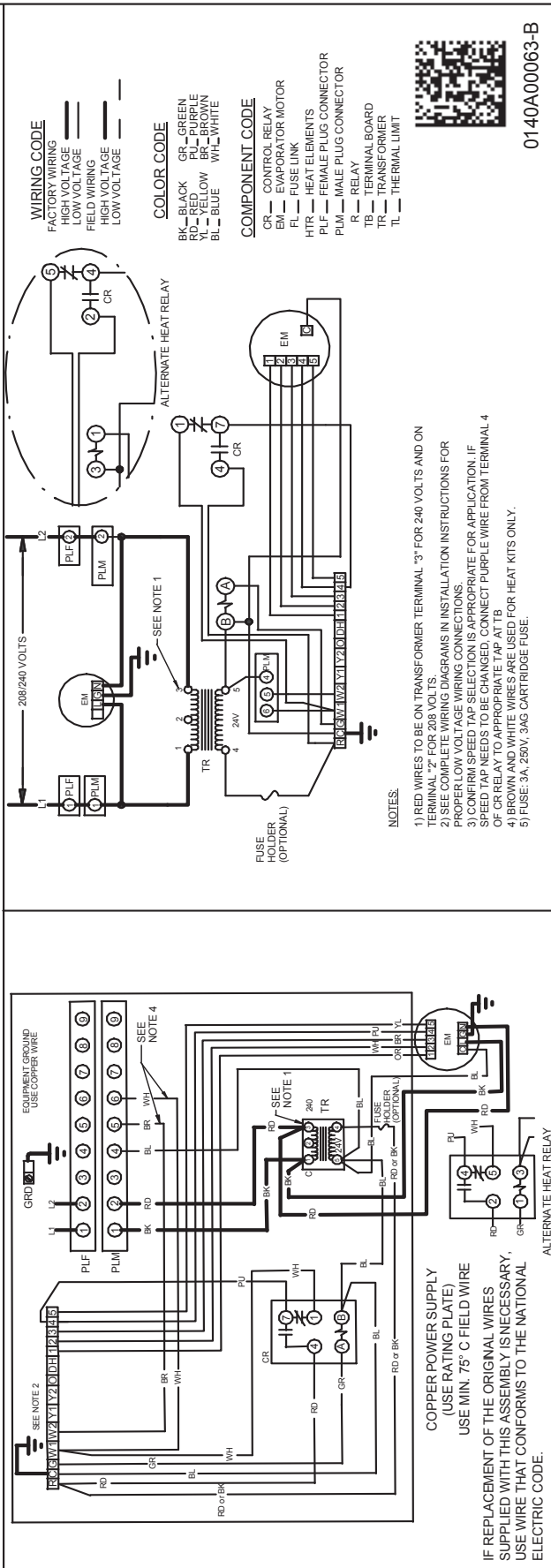
^Circuit 1: Single-phase for Air Handlers    Circuit 2: Three-phase for HKR3 Heater Kits

---indicates Not Required

Note: The 208 or 240 in the heat kit part number field is for clarification of the nominal voltage for this model.



NOTE: WHEN INSTALLING HEATER KIT, ENSURE SPEED TAP DOES NOT EXCEED MINIMUM BLOWER SPEED (MBS) SPECIFIED FOR THE AIRHANDLER/HEATER KIT COMBINATION ON THIS UNIT'S S&R PLATE. AFTER INSTALLING OPTIONAL HEAT KIT, MARK A "X" IN THE BOX PROVIDED ABOVE. MARK ACCORDING TO NUMBER OF HEATER ELEMENT ROWS INSTALLED. NO MARK INDICATES NO HEAT KIT INSTALLED.



Wiring is subject to change. Always refer to the wiring diagram on the unit for the most up-to-date wiring.

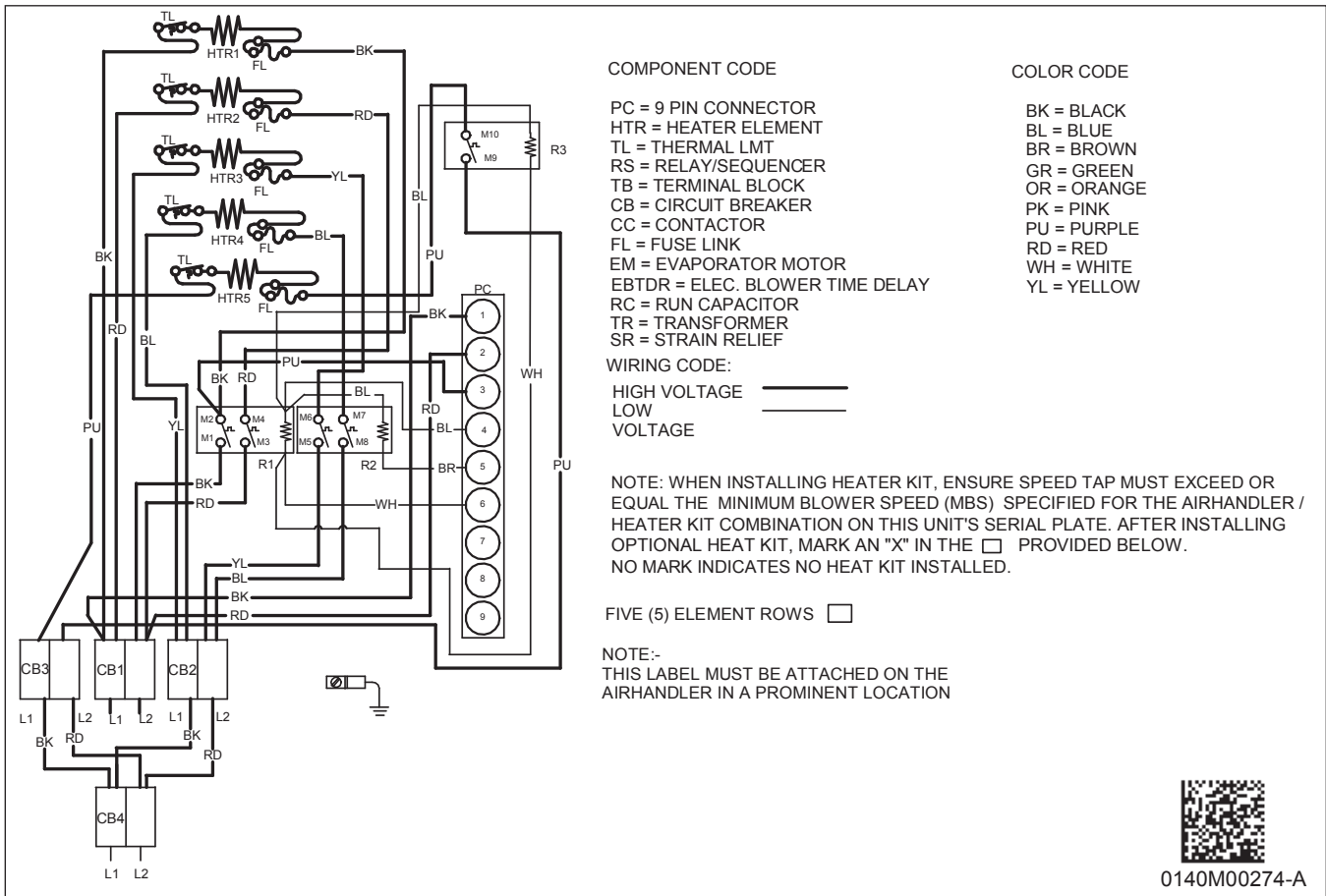
**WARNING**

**High Voltage:** Disconnect all power before servicing or installing this unit. Multiple power sources may be present. Failure to do so may cause property damage, personal injury, or death.



0140A00063-B

NOTE: The five element, 25 kW heater kit is not SHOWN ABOVE.

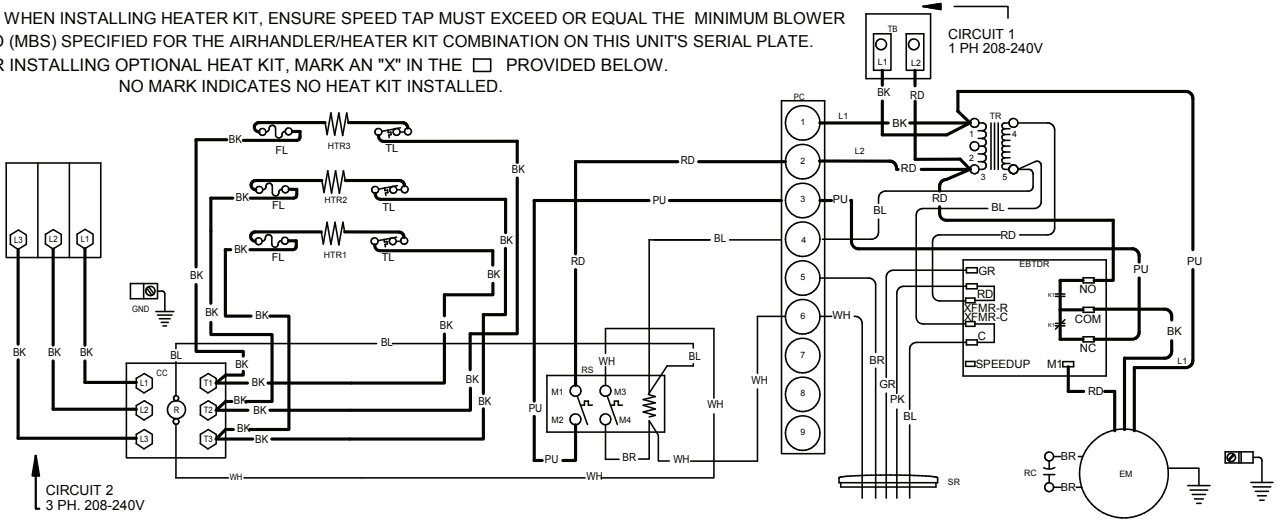


Wiring is subject to change. Always refer to the wiring diagram on the unit for the most up-to-date wiring.

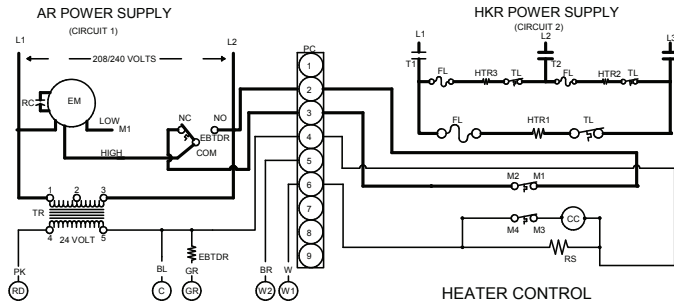
	<b>WARNING</b>	<b>High Voltage:</b> Disconnect all power before servicing or installing this unit. Multiple power sources may be present. Failure to do so may cause property damage, personal injury, or death.	
--	----------------	---	--

# THREE-PHASE HEATER KIT WIRING DIAGRAM

NOTE: WHEN INSTALLING HEATER KIT, ENSURE SPEED TAP MUST EXCEED OR EQUAL THE MINIMUM BLOWER SPEED (MBS) SPECIFIED FOR THE AIRHANDLER/HEATER KIT COMBINATION ON THIS UNIT'S SERIAL PLATE. AFTER INSTALLING OPTIONAL HEAT KIT, MARK AN "X" IN THE  PROVIDED BELOW. NO MARK INDICATES NO HEAT KIT INSTALLED.



NOTE:- THIS LABEL MUST BE ATTACHED ON THE AIRHANDLER IN A PROMINENT LOCATION



COMPONENT CODE		COLOR CODE	
HTR	HEAT ELEMENT	BK	BLACK
EM	EVAPORATOR MOTOR	BL	BLUE
EBTDR	ELEC. BLOWER TIME DELAY RELAY	BR	BROWN
RS	RELAY/SEQUENCER	GR	GREEN
RC	RUN CAPACITOR	OR	ORANGE
TL	THERMAL LIMIT	PK	PINK
TR	TRANSFORMER	PU	PURPLE
TB	TERMINAL BLOCK	RD	RED
CC	CONTACTOR	WH	WHITE
PC	9-PIN CONNECTOR	YL	YELLOW
SR	STRAIN RELIEF		
FL	FUSE LINK		
CB	CIRCUIT BREAKER		

WIRING CODE	
HIGH VOLTAGE	=====
LOW VOLTAGE	-----



Wiring is subject to change. Always refer to the wiring diagram on the unit for the most up-to-date wiring.

	<b>WARNING</b>	<b>High Voltage:</b> Disconnect all power before servicing or installing this unit. Multiple power sources may be present. Failure to do so may cause property damage, personal injury, or death.	
--	----------------	---	--

**DOWNFLOW INSULATION KIT**

DFK-B	DFK-C	DFK-D
ASPT24B14**	ASPT30C14**	ASPT42D14**
ASPT35B14**	ASPT36C14**	ASPT48D14**
	ASPT33C14**	ASPT60D14**
	ASPT39C14**	ASPT61D14**
	ASPT42C14**	
	ASPT48C14**	
	ASPT49C14**	

**FILTERS**

CHASSIS	PART #	SIZE
B	ALFH16201E	16.0" x 20.0"
C	ALFH1912201E	19.5" x 20.0"
D	ALFH20231E	23.0" x 20.0"

