

## ■ Description

The Daikin Premium Air Cleaner is an in-line air cleaner that treats home air for airborne particulate matter found in the home. The high efficiency MERV 15 media filter removes more than 85% of particles down to 0.3 microns in size at 492 fpm.

- Intuitively designed with outer dimensions that match original equipment furnace and air handler cabinets for quick installation

## ■ Standard Features

- Magnetic door design ensures tool-less, easy access to filter components for quick and easy filter changes
- Insulated cabinet to reduce risk of condensation.
- The new Daikin Premium Air Cleaner is a MERV 15 media filter that removes more than 85% of particles down to 0.3 microns\*
- Pleated media filter removes over 98% of *Aspergillus fumigatus*, *Aspergillus versicolor*, and *Stachybotrys chartarum* from the airstream\*
- Pleated media filter removes over 99% of Ragweed, over 72% of Cat Dander, and over 73% of Dust Mites from the airstream\*
- Extra deep, 5¼" pleated filter constructed of cellulose-free, hydrophobic polyolefin fibers
- Designed for multi-position horizontal or vertical installations
- Filter design features a structured density gradient for sustained efficiency over the life of the filter
- Filter has a tight cabinet fit ensuring negligible air bypass
- Filter frame designed with dual pull tabs for easy removal
- Fully gasketed door for proper air seal
- Heavy duty, 20 gauge, post-forming painted, corrosion-resistant door
- All cabinet mounting holes are slotted and designed to line-up with original equipment flanges for time-saving installation
- Filter should be changed once or twice a year based on conditions within the home

\* Independent testing performed by LMS Technologies, Inc.



	Furnaces	Air Handlers
Air Cleaner Model #	DV15-2814-FA	DV15-2117-AB
	DV15-2817-FB	DV15-2121-AC
	DV15-2821-FC	DV15-2124-AD
	DV15-2824-FD	



\* Complete warranty details available from your local dealer or at [www.daikincomfort.com](http://www.daikincomfort.com). To receive the 12-Year Parts Limited Warranty, online registration must be completed within 60 days of installation. Online registration is not a requirement in California or Quebec.

Specifications							
MODEL	DV15-2117-AB	DV15-2121-AC	DV15-2124-AD	DV15-2814-FA	DV15-2817-FB	DV15-2821-FC	DV15-2824-FD
<b>Airflow - up to maximum rated flow</b>	Up to 1200 cfm (2039 m <sup>3</sup> /h)	Up to 1600 cfm (2718 m <sup>3</sup> /h)	Up to 1800 cfm (3058 m <sup>3</sup> /h)	Up to 1200 cfm (2039 m <sup>3</sup> /h)	Up to 1600 cfm (2718 m <sup>3</sup> /h)	Up to 2000 cfm (3398 m <sup>3</sup> /h)	Up to 2000 cfm (3398 m <sup>3</sup> /h)
<b>Duct Size</b>	21 x 17 in (53 x 43 cm)	21 x 21 in (53 x 53 cm)	21 x 24 in (53 x 61 cm)	28 x 14 in (71 x 36 cm)	28 x 17 in (71 x 43 cm)	28 x 21 in (71 x 53 cm)	28 x 24 in (71 x 61 cm)
<b>Pressure Drop* (Filter Only)</b>	0.09 in. w.g. @ 600 cfm	0.09 in. w.g. @ 800 cfm	0.09 in. w.g. @ 900 cfm	0.08 in. w.g. @ 600 cfm	0.08 in. w.g. @ 800 cfm	0.08 in. w.g. @ 1000 cfm	0.06 in. w.g. @ 1000 cfm
	0.26 in. w.g. @ 1200 cfm	0.29 in. w.g. @ 1600 cfm	0.25 in. w.g. @ 1800 cfm	0.25 in. w.g. @ 1200 cfm	0.24 in. w.g. @ 1600 cfm	0.22 in. w.g. @ 2000 cfm	0.17 in. w.g. @ 2000 cfm
<b>MERV Rating*</b>	15	15	15	15	15	15	15

**Notes:**

1. Installation with units with ECM motors recommended.
2. Two filters should be considered for any airflow rates above maximum rated flow or when duct pressure loss is excessive.

Furnace Size	A	B	C	D
<b>Furnace Riser</b>	AMP-BSRB-2814	AMP-BSRB-2817	AMP-BSRB-2821	AMP-BSRB-2824

When using a furnace riser use DV15-2824-FD on all size furnaces

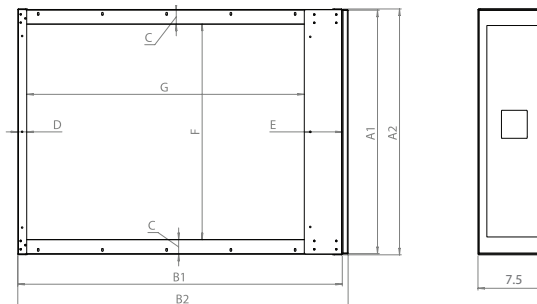
MERV Rating 15 - Minimum Filtration Efficiency @492 fpm: • E1 85% (0.3 - 1.0 micron) • E2 90% (1.0 - 3.0 microns) • E3 95% (3.0 - 10.0 microns)

\*Independent testing performed by LMS Technologies, Inc.



Furnace Riser

Dimensions (in)								
MODEL	A	B1	B2	C	D	E	F	G
DV15-2117-AB	17.5	21.1	21.7	1.4	0.8	1.3	14.7	19.4
DV15-2121-AC	21.0	21.1	21.7	1.4	0.8	1.3	18.2	19.4
DV15-2124-AD	24.5	21.1	21.7	1.4	0.8	1.3	21.7	19.4
DV15-2814-FA	14.0	28.0	28.6	0.8	0.8	3.8	12.5	23.9
DV15-2817-FB	17.5	28.0	28.6	0.8	0.8	3.8	16.0	23.9
DV15-2821-FC	21.0	28.0	28.6	0.8	0.8	3.8	19.5	23.9
DV15-2824-FD	24.5	28.0	28.6	0.8	0.8	3.8	23.0	23.9



**Replacement Media Filters**

Air Cleaner Model <sup>(1)</sup>	Replacement Filter Part <sup>(2)</sup>
DV15-2117-AB	0160M00013
DV15-2121-AC	0160M00014
DV15-2124-AD	0160M00015
DV15-2814-FA	0160M00016
DV15-2817-FB	0160M00017
DV15-2821-FC	0160M00018
DV15-2824-FD	0160M00019

Filter should be changed once or twice a year based on conditions within the home.

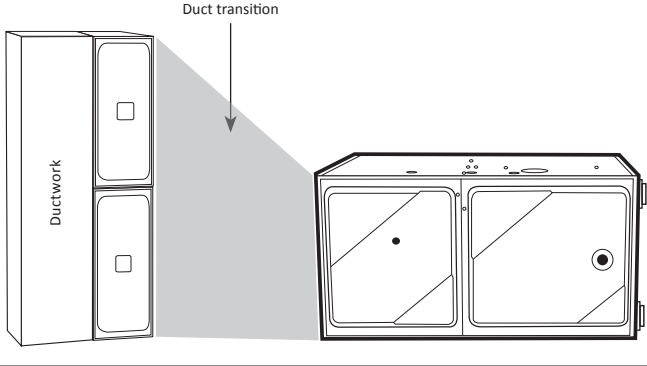
<sup>(1)</sup>EPA EST. NO. 073316-TEX-001 • <sup>(2)</sup>EPA EST. NO. 71027-MEX-001

**Filter Match-up Options**

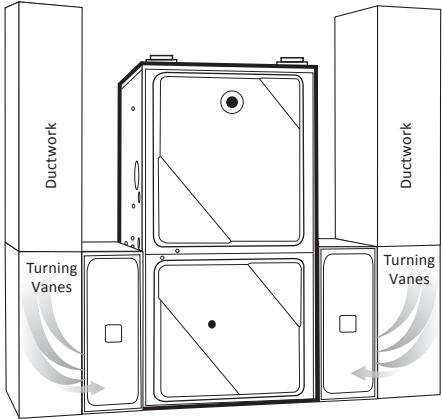
Air Handler Filter Options		
Air Handler Size	Bottom/Top Return	Plenum Return
B	21x17	21x21
C	21x21	21x24
D	21x24	21x24

Furnace Filter Options			
Furnace Size	Bottom/Top Return	Side Return	Side Return with Furnace Riser
A	28x14	28x17	28x24
B	28x17	28x17	28x24
C	28x21	(2) 28x17	28x24
D	28x24	(2) 28x17	28x24

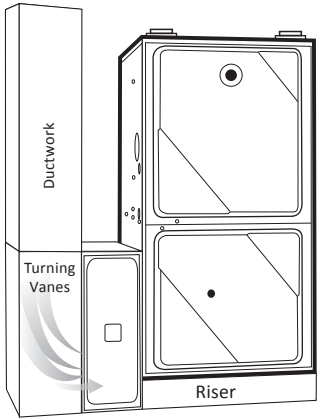
NOTE: Not all installation options are included below.



Duct transition for side flow dual filter installation  
furnace/air handler application



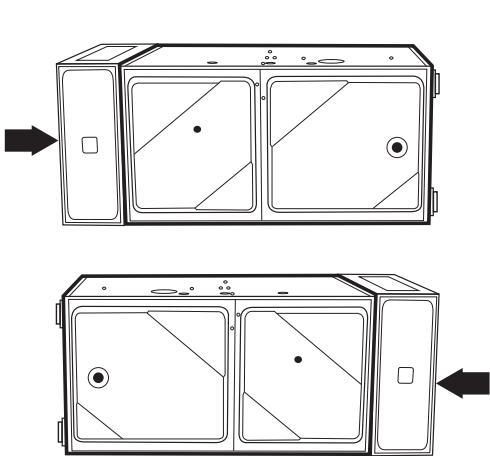
Dual filter furnace application, side return  
(For any side return on a furnace without a furnace riser, use one DV15-2817-FB on A & B or two DV15-2817-FB on C & D furnace sizes)



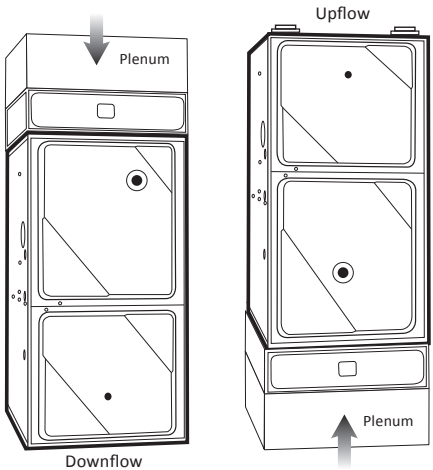
Single filter furnace application, side return with furnace riser (When using a furnace riser, use DV15-2824-FD on all furnace sizes)



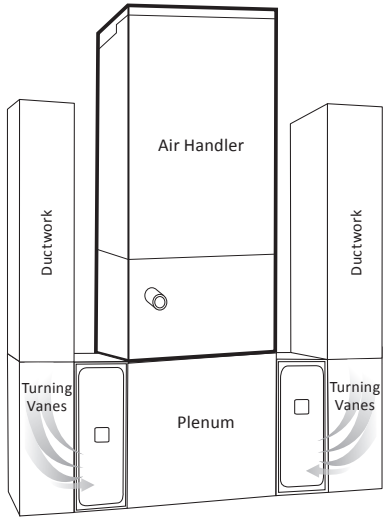
Furnace Riser



HL/HR furnace/airhandler application



Upflow/downflow furnace/airhandler application



Dual filter air handler application

