

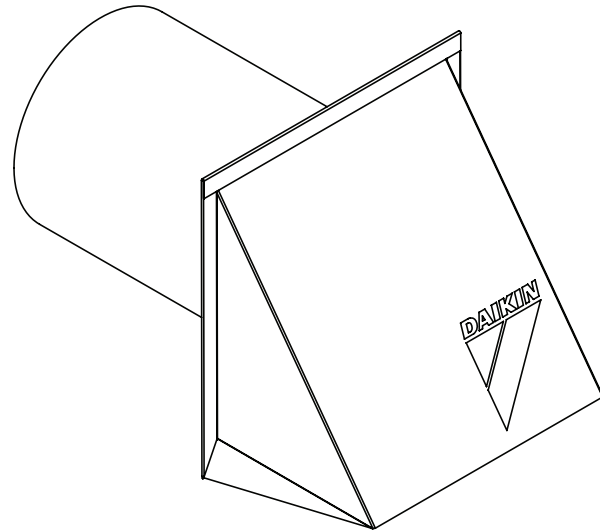
## Air Intake Hood Accessory for Daikin *One* Powered Ventilator

### Description

The Daikin Air Intake Hood accessory is the recommended cover for the outdoor air intake duct serving a Daikin *One* Powered Ventilator. The ventilation flow rates provided in the ventilator's manual are measured with this Intake Hood attached and are certified by HVI.

#### ■ **Standard Features**

- Epoxy powder coated
- Gloss white color
- 26 gauge galvanized substrate
- 5.9" (15 cm) diameter duct connector allows installer sufficient room to fill air gap once the hood is inserted into a 6" (15.2 cm) diameter core hole in wall
- HVI Certified
- 5 year limited warranty



\*Refer to installation and operation manual (IO-DPVAIH) for more information.

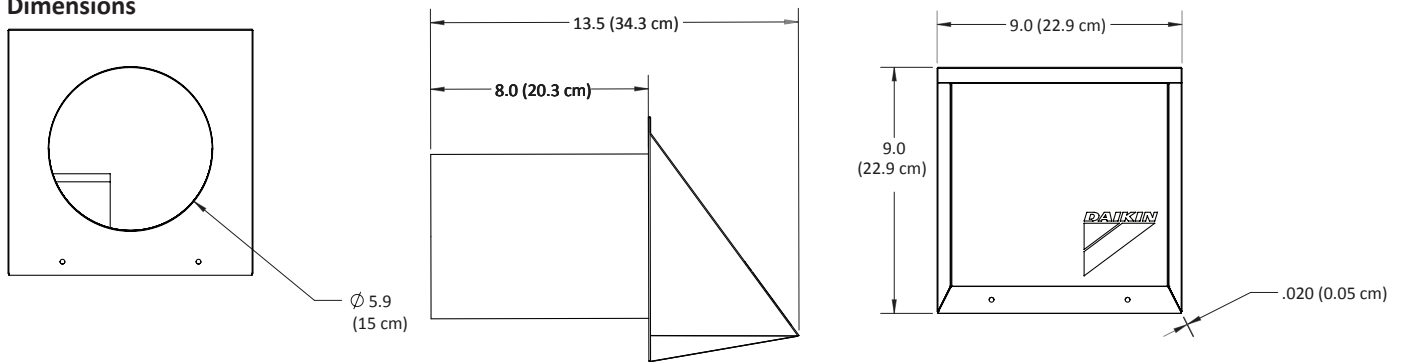
\* Complete warranty details available from your local dealer/contractor or at [www.daikincomfort.com](http://www.daikincomfort.com).

**Performance (HVI Certification data)**

Details	Static Pressure (in wg)	Rated Airflow (cfm)
Air Intake Hood with bird screen	0.05	120
Air Intake Hood with bird screen	0.024	80



**Dimensions**



**Single Pack Shipping Info**

- Shipping carton dimensions: 9" H x 9" D x 17" W (22.9 cm H x 22.9 cm D x 43.2 cm W)
- Shipping weight: 3 lbs. (1.36 kg)