



## Submittal Data Sheet

1.5-Ton DC Ducted Unit

FBQ18PVJURZQ18TAVJUA

### FEATURES

- External static pressure (ESP) capabilities up to 0.8" W.G.
- Three user selected fan speeds available plus fan "Auto" logic
- Low ambient cooling operation down to 0°F (with optional wind baffle(s))
- Built-in condensate pump
- Maximum piping length up to 164 ft. allows flexible placement of indoor unit
- Maximum piping height separation up to 98 ft.
- 10 year limited parts and compressor warranty

### BENEFITS

- DC fan motor provides improved efficiency
- Bottom access for easy service

### INDOOR UNIT



### OUTDOOR UNIT





## Submittal Data Sheet

1.5-Ton DC Ducted Unit

FBQ18PVJURZQ18TAVJUA

### SYSTEM PERFORMANCE

Indoor Unit Model No.	FBQ18PVJU	Indoor Unit Name:	Sky-Air DC Ducted
Outdoor Unit Model No.	RZQ18TAVJUA	Outdoor Unit Name:	Sky-Air Heat Pump ODU
Rated Cooling Capacity (Btu/hr):	18,000	Rated Cooling Conditions:	Indoor (°F DB/WB): 80 / 67 Ambient (°F DB/WB): 95 / 75
Sensible Capacity (Btu/hr):	14,800	Rated Piping Length(ft):	25
Max/Min Cooling Capacity (Btu/hr):	/	Rated Height Difference (ft):	0.00
Cooling Input Power (kW):	2.120	Rated Heating Conditions:	Indoor (°F DB/WB): 70 / 60 Ambient (°F DB/WB): 47 / 43
SEER (Non-Ducted/Ducted):	/ 16.70	HSPF:	/ 9.5
EER (Non-Ducted/Ducted):	/ 13.00		
Rated Heating Capacity (Btu/hr):	20,000		

### SYSTEM DETAILS

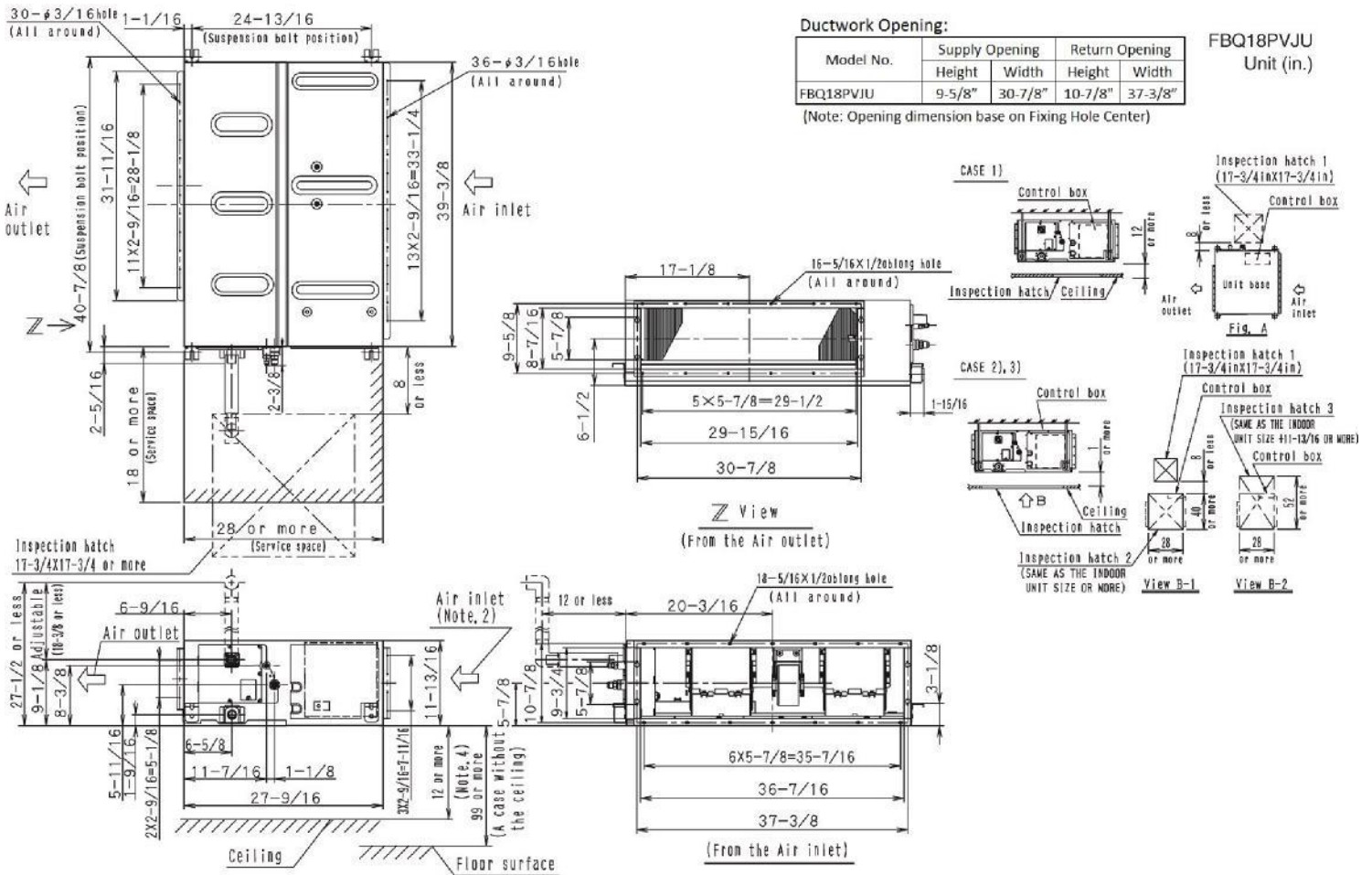
Refrigerant Type:	R-410A	Cooling Operation Range (°F DB):	23 - 122
Holding Refrigerant Charge (lbs):	6.4	Heating Operation Range (°F WB):	-4 - 60
Additional Charge (lb/ft):	0.04	Max. Pipe Length (Vertical) (ft):	98
Pre-charge Piping (Length) (ft):	15	Cooling Range w/Baffle (°F DB):	0 - 122
Max. Pipe Length (Total) (ft):	164	Heating Range w/Baffle (°F WB):	-
Max Height Separation (Ind to Ind ft):	0		

# Submittal Data Sheet

1.5-Ton DC Ducted Unit  
FBQ18PVJURZQ18TAVJUA

## INDOOR UNIT DETAILS

Power Supply (V/Hz/Ph):	208-230 / 60 / 1	Airflow Rate (H/M/L) (CFM):	635/582/529
Power Supply Connections:	L1, L2, Ground	Moisture Removal (Gal/hr):	
Min. Circuit Amps MCA (A):	1.6	Gas Pipe Connection (inch):	5/8
Max Overcurrent Protection (MOP) (A):	15	Liquid Pipe Connection (inch):	3/8
Dimensions (HxWxD) (in):	11-13/16 x 39-3/8 x 27-9/16	Condensate Connection (inch):	1
Net Weight (lb):	80	Sound Pressure (H/M) (dBA):	41/39
Ext. Static Pressure (Rated/Max) (inWg):	0.8 / 0.8	Sound Power Level (dBA):	



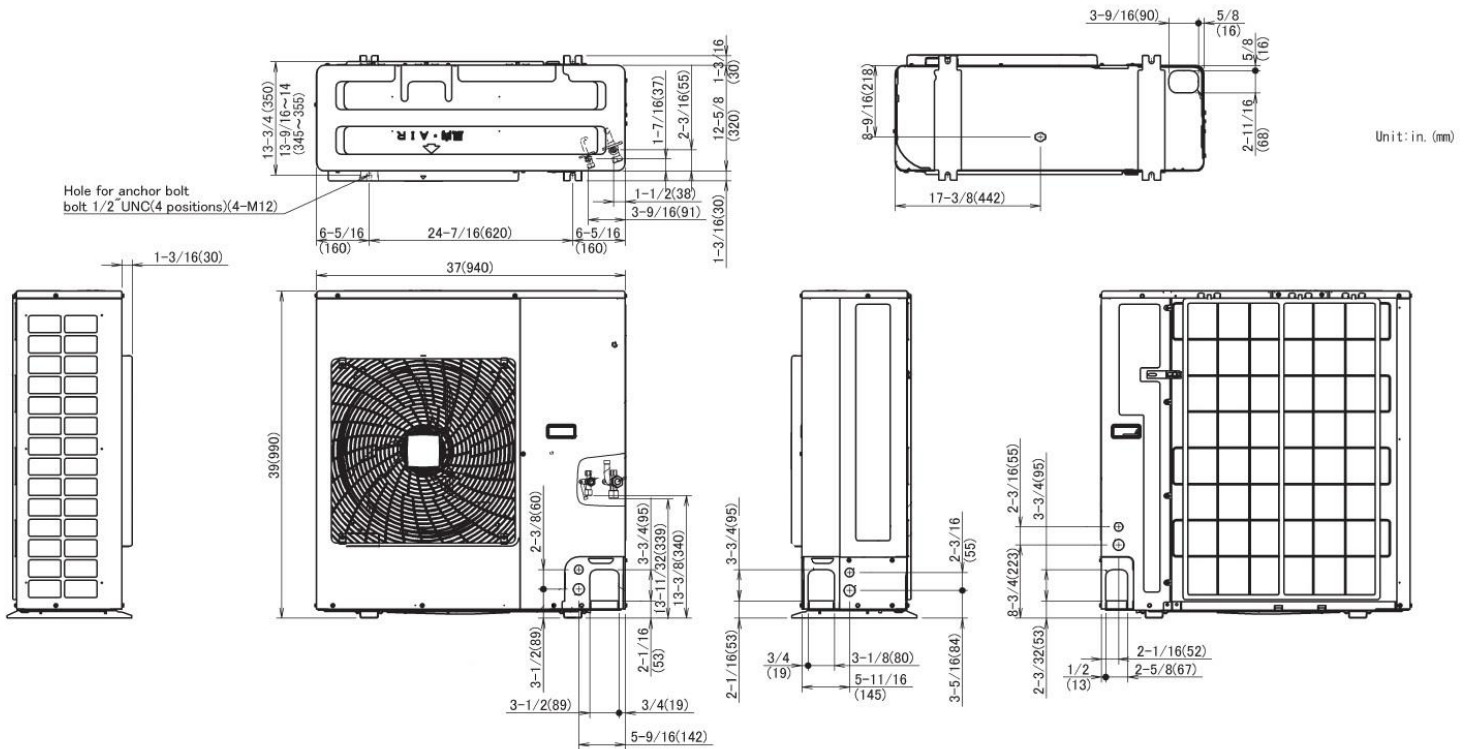


## Submittal Data Sheet

1.5-Ton DC Ducted Unit  
FBQ18PVJURZQ18TAVJUA

### OUTDOOR UNIT DETAILS

Power Supply (V/Hz/Ph):	208-230 / 60 / 1	Compressor Stage:	
Power Supply Connections:	L1, L2, Ground	Capacity Control Range (%):	14 - 100
Min. Circuit Amps MCA (A):	16.5	Airflow Rate (H) (CFM):	2682
Max Overcurrent Protection (MOP) (A):	20	Gas Pipe Connection (inch):	5/8
Max Starting Current MSC(A):		Liquid Pipe Connection (inch):	3/8
Rated Load Amps RLA(A):	15.3	Sound Pressure (H) (dBA):	58
Dimensions (HxWxD) (in):	39 x 37 x 12-5/8	Sound Power Level (dBA):	
Net Weight (lb):	172		



Daikin North America LLC, 5151 San Felipe, Suite 500, Houston, TX, 77056

Daikin City Generated Submittal Data

[www.daikinac.com](http://www.daikinac.com) [www.daikincomfort.com](http://www.daikincomfort.com)

(Daikin's products are subject to continuous improvements. Daikin reserves the right to modify product design, specifications and information in this data sheet without notice and without incurring any obligations)

Submittal Date: October 2021

Page 4 of 4